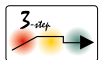


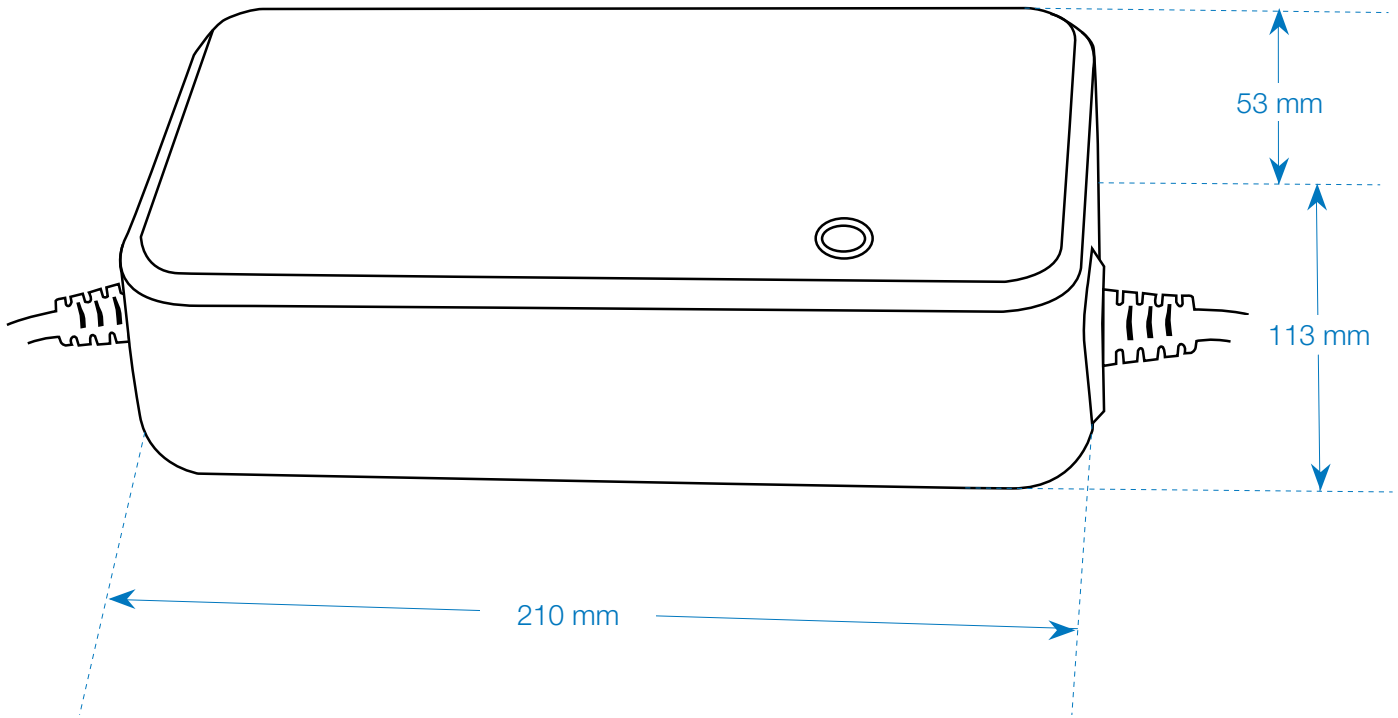
- 3-step charge control with current detection
 - Charging 8-9 LiFePO₄ battery cells
 - Input voltage 198-264 VAC
 - Wake up and low current start-up of deeply discharged batteries
 - Error indication for reverse polarity, charging of wrong lower voltage battery pack, defect battery and safety timer run-out
 - Mounting bracket available
- For updates: see www.mascot.no
- 3-trinns ladekontroll med strømdeksjon
 - Lader 8-9 LiFePO₄ battericeller
 - Inngangsspenning 198-264 VAC
 - Vekking og lavstrømoppstart av dypt utladede batterier.
 - Feilindikasjon for polvendning, for lading av batterier med feil/lavere spenning, defekte batterier og for utløp av sikkerhetstimer
 - Kan leveres med festebrakett
- For oppdat.: se www.mascot.no



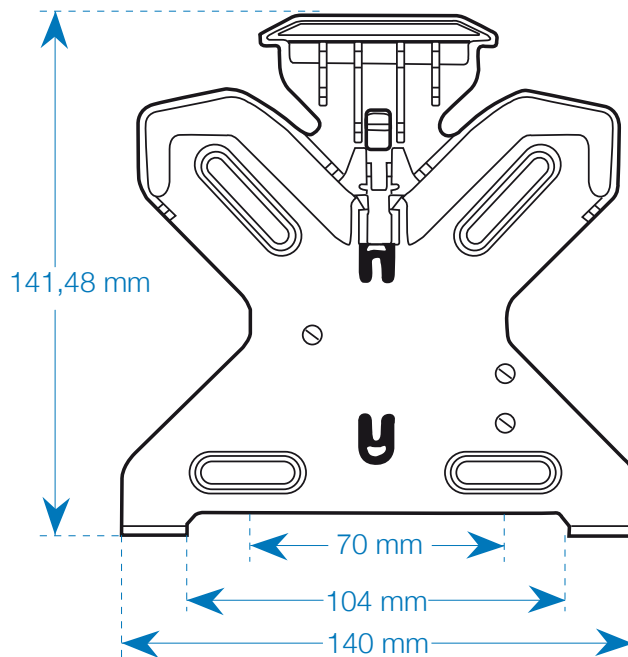
Technical specifications	Tekniske data	8 cell
Input voltage:	Inngangsspenning:	198-264 VAC
Line Frequency:	Frekvensområde:	47 – 50Hz
Switch frequency, approx.:	Svitsjefrekvens ca.:	65 kHz
Leakage current from battery with mains switched off:	Strømtrekk fra batteri ved frakoblet nett:	<160µA@29.2V
Temperature range	Temperaturområde	
• Operating:	• Drift:	-25 °C - +40 °C
• Storage:	• Lagring:	-25 °C - +65 °C
Derating:	Effektreduksjon:	7A @ 40°C
Protection:	Sikring:	Protected against reversed polarity, short circuit proof and thermal run-off. Prevents sparking. Charge timer: 4h Safety timer: 72h Class II (Double insulated)
Insulation class:	Isolasjonsklasse:	
Insulation voltage	Isolasjonsspenning	
• Primary – secondary:	• Primær - sekundær:	4000VAC / 5700VDC
Electrical safety standard:	Elektrisk sikkerhetsstandard:	EN 60601 (Edition 3.1)
EMC standards	EMC standarder	EN 60601-1-2:2015 (Edition 4)
Input terminal:	Inngangsterminal:	2-pin IEC 60320 or fixed mains cable
Output terminals:	Utgangsterminaler:	Cord with open ends or XLR Plug
IP-code:	IP-grad:	IP44
Dimensions (LxWxH):	Mål (LxBxH):	210 × 113 × 53 mm
Weight:	Vekt:	With mains cable 1400g With IEC60320 1150g

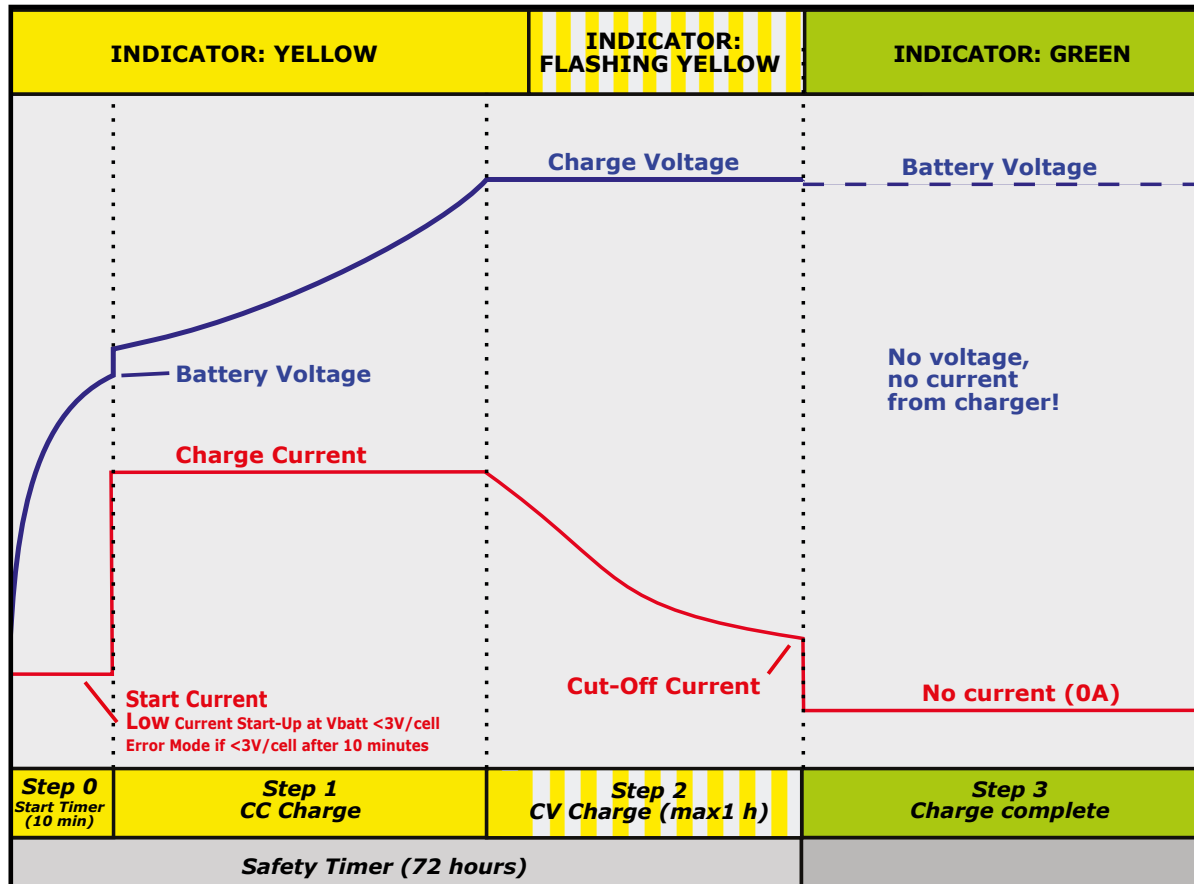
Versions – versjoner

		CHARGE CONTROL / LADEKONTROLL					
		Step 0 < 10min (yellow)	Step 0 > 10min (Red: 4 blinks)	Step 1 (yellow)	Step 2 (Flash yellow)	Step 3 (green)	
Cells	Max output power (W)	Low Current start-up for deeply discharged batt.	Battery voltage too low	Charge Current	Charge Voltage	Charge term when current is:	Restart
8	292W	CC 0.8A±0.4A when batt volt < 21V	0A / 10V	10A ±0.3A	29.2V ±0.2V	< 0.8A or max. 1 hr.	26.4V ±0.1V
9	295W	CC 0.8A±0.5A when batt volt < 23.4V		9A ±0.3A	32.83V	< 0.8A or max. 1 hr.	29.7V ±0.1V



Mounting bracket, part no. 205800



Charging characteristics and LED indication

BATTERY NOT CONNECTED INDICATIONS

Battery not connected is indicated by FLASHING GREEN. In this mode charger will apply short pulses attempting to wake up deeply discharged batteries.

ERROR INDICATIONS

2 red blinks: Battery is connected to charger with wrong polarity!
 4 red blinks: Battery voltage is low. Check battery status or voltage.
 5 red blinks: Safety timer has run out. Check battery status or capacity.
 LED off: Battery voltage is too high. Check battery voltage.

WAIT MODE INDICATIONS

Yellow with 1 red blink: Battery temperature is too low ($< 0^{\circ}C$)
 Yellow with 2 red blink: Battery temperature is too high ($> 45^{\circ}C$)