

CV130F Series Common Mode Choke

3.0mH, Current 3.2A-4A



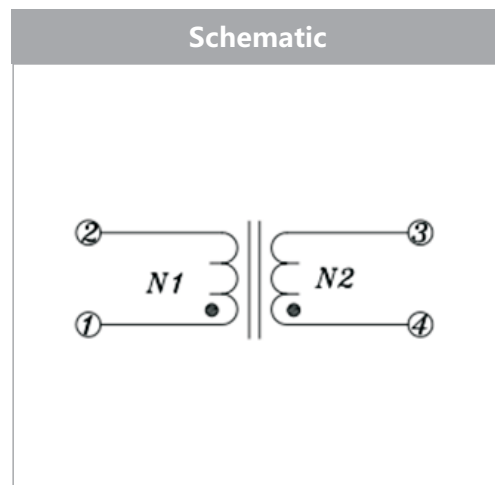
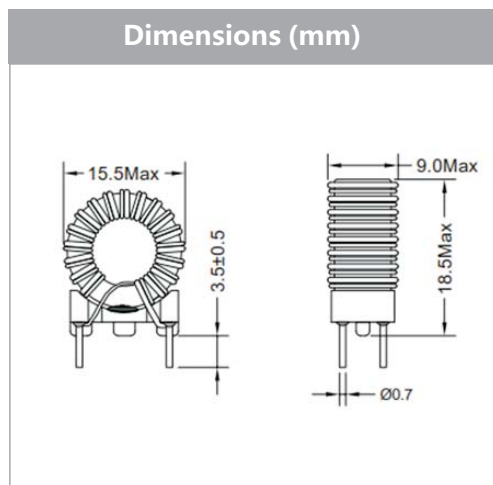
CHARACTERISTICS

- The core is made of Mn-Zn Ni-Zn
- Decreasing noise by using 100kHz to 100MHz
- Increases the anti-EMI ability
- Operating temp. -40 °C to +125°C

Electronic Specification

MN code	Rated current per winding (A)	Inductance Per winding (mH+25%/-25%)	DC resistance (mΩ)	Suggested PCB hole (mm)
173682	4.0	3.0	35.0	Φ0.9
173632	3.2	3.0	50.0	Φ0.8

Remark: Testing conditions at 20°C, 10.0kHz, 0.1V; Testing voltage: 1500Vac – 50Hz, 3 sec, Related voltage: 250V-50Hz and +60°C ambient temperature.



We are ready to customise any of our standard products to meet your specific design needs!

Add: No.128 Jinchuan Road, Zhenhai
315221 Ningbo China

Tel: +86 574 8630 7585
Fax: +86 574 8630 7571

Email: salescn@mascot.no
Websites: www.mascot.no