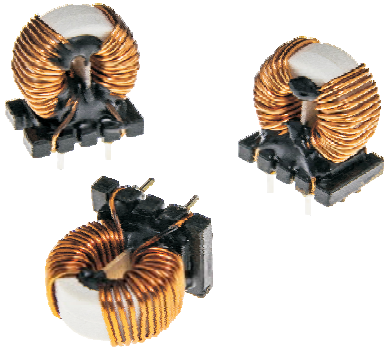


CV160N Series Common Mode Choke

8.0mH-20.0mH, Current 1.0A-5.0A



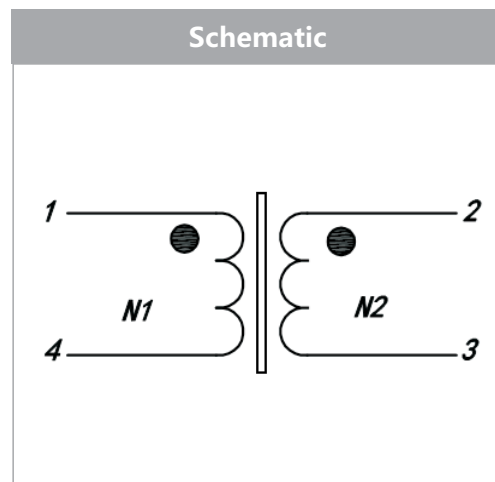
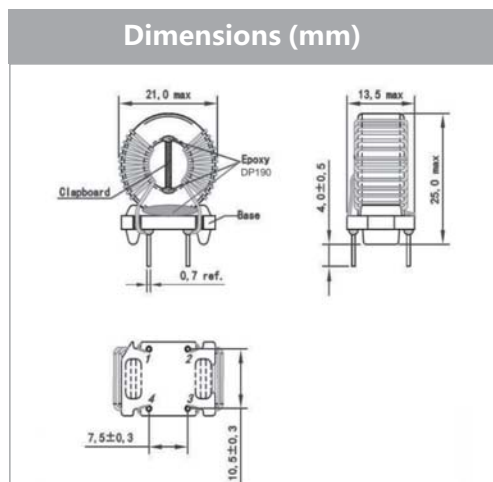
CHARACTERISTICS

- The core is made of Nanocrystalline
- Decreasing noise by using 10kHz to 200MHz
- It is mainly applied in AC inductor converter, switch power supplies, EMC filter, wind power, household appliances
- Operating temp. -65 °C to +125°C

Electronic Specification

MN code	Rated current per winding (A)	Inductance Per winding (mH-30%/+50%)	DC resistance (mΩ)	Suggested PCB hole (mm)
174110	5.0 Max	8.0	10.0 Max	Φ1.2
174111	3.5 Max	20.0	20.0Max	Φ1.0
173620	1.0 Max	33.0	100.0 Max	Φ0.7

Remark: Testing conditions at 20°C, 10.0kHz, 0.1V; Testing voltage: 1500Vac – 50Hz, 3 sec, Related voltage: 250V-50Hz and +60°C ambient temperature.



We are ready to customise any of our standard products to meet your specific design needs!

Add: No.128 Jinchuan Road, Zhenhai
315221 Ningbo China

Tel: +86 574 8630 7585
Fax: +86 574 8630 7571

Email: salescn@mascot.no
Websites: www.mascot.no