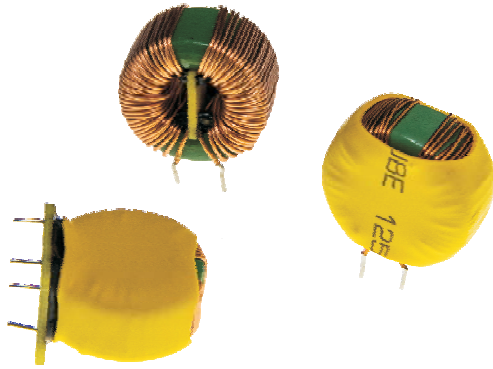


CV180F Series Common Mode Choke

20mH-25mH, Current 3.6A-4.0A



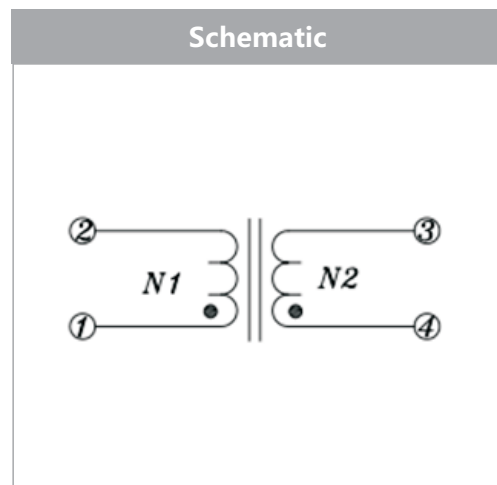
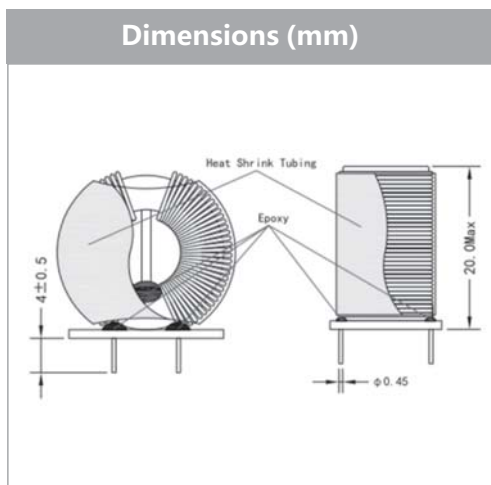
CHARACTERISTICS

- The core is made of Mn-Zn Ni-Zn
- Decreasing noise by using 100kHz to 100MHz
- Increases the anti-EMI ability
- Operating temp. -40°C to +125°C

Electronic Specification

MN code	Rated current per winding (A)	Inductance Per winding (mH-25%/+25%)	DC resistance (mΩ)	Suggested PCB hole (mm)
017438	1.5 Max	28	120	Φ0.85
173610	3.6 Max	25	120	Φ0.85
173683	4.0 Max	20	105	Φ0.9

Remark: Testing conditions at 20°C, 10.0kHz, 0.1V; Testing voltage: 1500Vac – 50Hz, 3 sec, Related voltage: 250V-50Hz and +60°C ambient temperature.



We are ready to customise any of our standard products to meet your specific design needs!

Add: No.128 Jinchuan Road, Zhenhai
315221 Ningbo China

Tel: +86 574 8630 7585
Fax: +86 574 8630 7571

Email: salescn@mascot.no
Websites: www.mascot.no