

## NV106S Series Chokes

100uH-680uH, Current 6.0A-30A



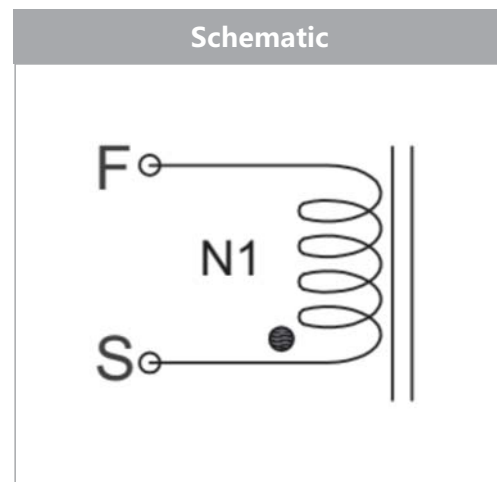
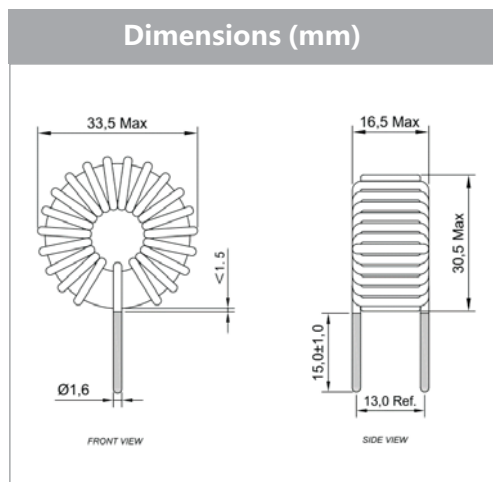
### CHARACTERISTICS

- The core is made of Sendust
- Decreasing noise by using 10kHz to 200MHz
- It is mainly applied in AC inductor converter, switch power supplies, EMC filter, wind power, household appliances
- Operating temp. -40 °C to +125°C

### Electronic Specification

MN code	Rated current per winding (A)	Inductance Per winding (uH-15%/+15%)	DC resistance (mΩ)	Suggested PCB hole (mm)
174230	30.0 Max	5.6	3.0 Max	Φ2.8
174231	25.0 Max	10.0	2.0 Max	Φ2.5
174232	15.0 Max	27.0	5.0 Max	Φ2.2
174233	12.0 Max	47.0	6.5 Max	Φ2.0
173737	10.0Max	68.0	10.0 Max	Φ1.8
174234	6.0 Max	100.0	20.0 Max	Φ1.5

Remark: Testing conditions at 20°C, 10.0kHz, 0.1V; Testing voltage: 1500Vac – 50Hz, 3 sec, Related voltage: 250V-50Hz and +60°C ambient temperature.



We are ready to customise any of our standard products to meet your specific design needs!

Add: No.128 Jinchuan Road, Zhenhai  
315221 Ningbo China

Tel: +86 574 8630 7585  
Fax: +86 574 8630 7571

Email: salescn@mascot.no  
Websites: www.mascot.no