

NV130S Series Chokes

10.0uH-2.2mH, Current 1.0A-20A



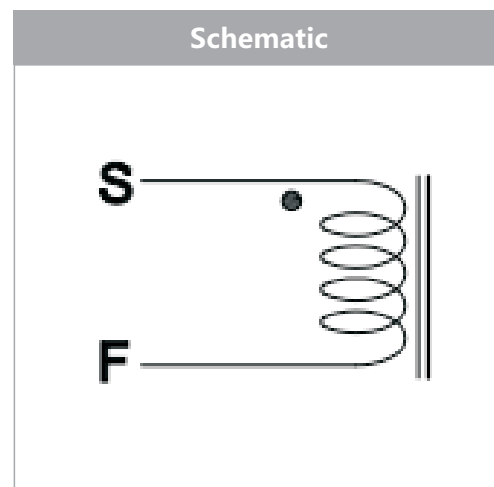
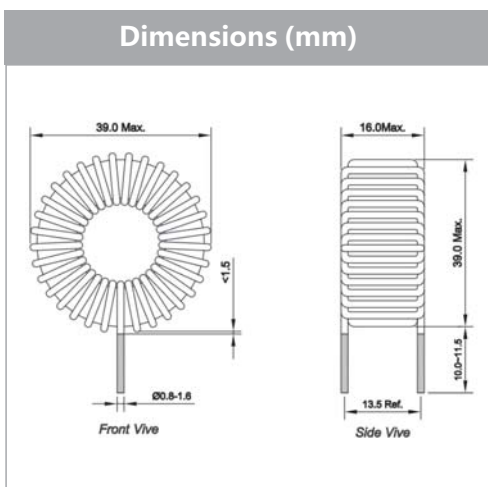
CHARACTERISTICS

- The core is made of Sendust
- Decreasing noise by using 10kHz to 10MHz
- It is mainly applied in AC inductor converter, switch power supplies, EMC filter, wind power, household appliances
- Operating temp. -65 °C to +125°C

Electronic Specification

MN code	Rated current per winding (A)	Inductance Per winding (uH-20%/+20%)	DC resistance (mΩ)	Suggested PCB hole (mm)
174260	1.0 Max	2200.0	1200.0 Max	Φ0.7
174261	3.0 Max	680.0	180.0 Max	Φ1.0
174262	5.0 Max	330.0	65.0 Max	Φ1.2
174263	10.0 Max	150.0	30.0 Max	Φ1.5
174264	20.0 Max	10.0	4.0 Max	Φ2.0

Remark: Testing conditions at 20°C, 10.0kHz, 0.1V; Testing voltage: 1500Vac – 50Hz, 3 sec, Related voltage: 250V-50Hz and +60°C ambient temperature.



We are ready to customise any of our standard products to meet your specific design needs!

Add: No.128 Jinchuan Road, Zhenhai
315221 Ningbo China

Tel: +86 574 8630 7585
Fax: +86 574 8630 7571

Email: salescn@mascot.no
Websites: www.mascot.no