

NV184I Series Chokes

150.0uH-1000.0uH, Current 1.0A-20A



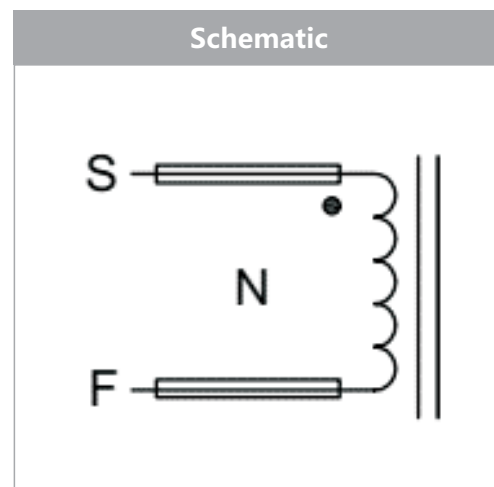
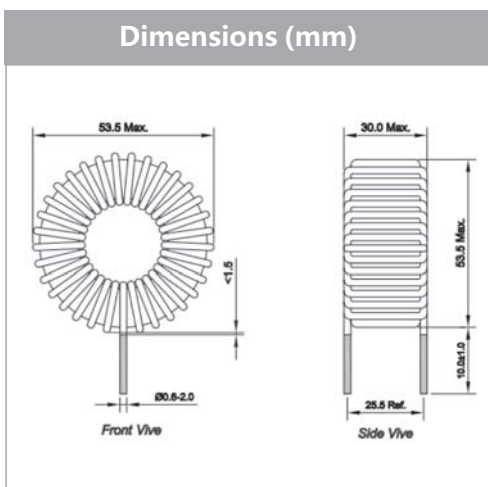
CHARACTERISTICS

- The core is made of Iron Powder
- Decreasing noise by using 10kHz to 200MHz
- It is mainly applied in AC inductor converter, switch power supplies, EMC filter, wind power, household appliances
- Operating temp. -65 °C to +125°C

Electronic Specification

MN code	Rated current per winding (A)	Inductance Per winding (uH-10%/+10%)	DC resistance (mΩ)	Suggested PCB hole (mm)
173649	20.0 Max	150.0	15.0 Max	Φ3.0
174280	12.0 Max	270.0	30.0 Max	Φ1.8
174281	5.0 Max	540.0	90.0 Max	Φ1.2
174282	2.5Max	820.0	220.0 Max	Φ0.9
174283	1.5 Max	1000.0	330.0 Max	Φ0.8

Remark: Testing conditions at 20°C, 10.0kHz, 0.1V; Testing voltage: 1500Vac – 50Hz, 3 sec, Related voltage: 250V-50Hz and +60°C ambient temperature.



We are ready to customise any of our standard products to meet your specific design needs!

Add: No.128 Jinchuan Road, Zhenhai
315221 Ningbo China

Tel: +86 574 8630 7585
Fax: +86 574 8630 7571

Email: salescn@mascot.no
Websites: www.mascot.no