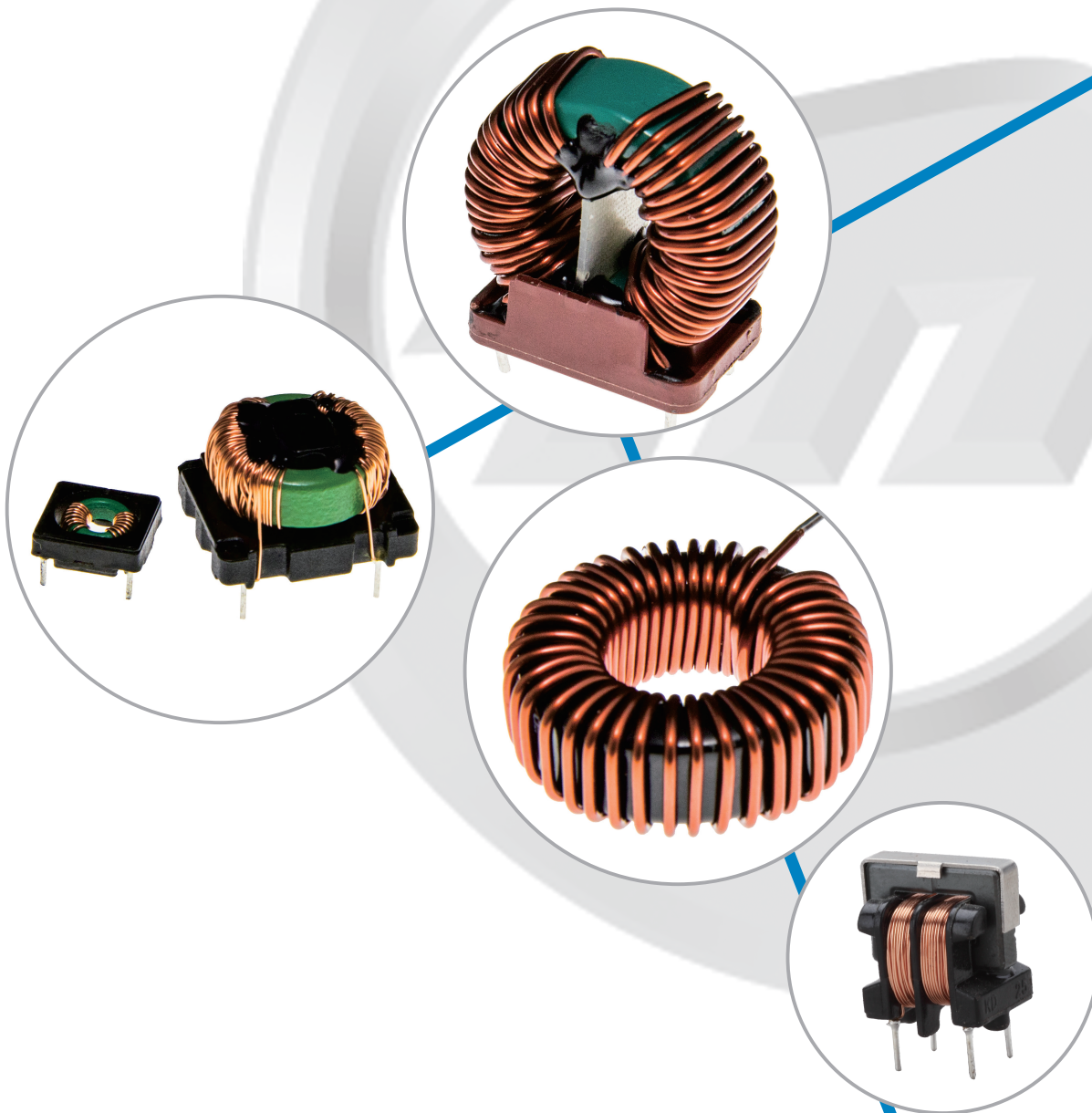




EMI Chokes / Inductors

Your Partner in Power Electronics



Quality since 1938

Mascot China

-A subsidiary of Mascot Group in Norway

Mascot China was founded in 2007 in Ningbo city, located northeast in Zhejiang province Ningbo is about 200 km south of Shanghai and its port is among the busiest in the world. Our production facilities have 5,000 square meters available and feature automatic machinery and test instruments for transformer, toroidal choke, inductor and power supply production.

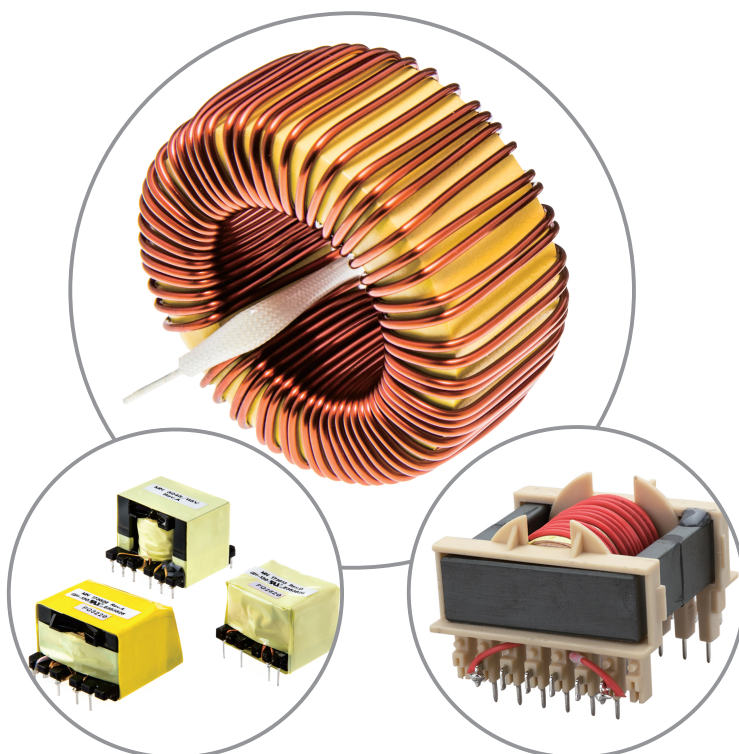
Based on customer requests and market demand for quality products, we expanded our product range in 2013 from inductive components and development to also offer power supplies. With our development and manufacturing capabilities, we can provide comprehensive assistance for all elements of the design and production processes, enabling efficient and cost effective operation in-house.

We have more than 2,000 approved components in our ERP system from domestic and international suppliers. All components and solutions used for our products have been qualified by our R&D department in Fredrikstad Norway.



The labour intensive process of manufacturing electrical transformers makes offshore manufacturing of custom windings favourable. By using our Manufacturing Execution System (MES) we closely and continuously follow quality and productivity parameters to provide a cost-effective and expedient solution to meet our customers demand.

Based on our expertise in power design and years of manufacturing experience, we provide our customers high quality products and timely deliveries – in accordance with our slogan – **“True to the power of quality”**.



Product Lines

- Transformers
- EMI Chokes
- Inductors
- Power Supplies

Applications

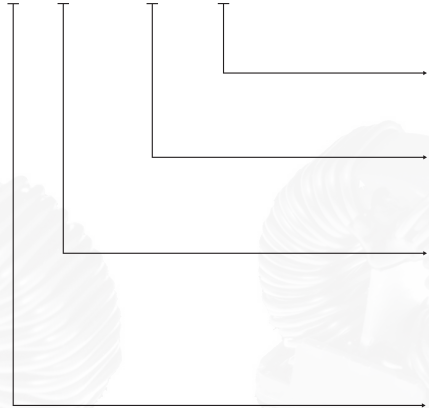
- Medical
- Measuring equipment
- Automation
- Telecoms
- New Energy

Mascot Chokes and Inductors

Over 50 years' experience in designing and manufacturing wound components are behind the Mascot Choke and Inductor Series.

The coding indicators of the Mascot Choke and Inductor Series

X - X - X X X - X



Indicates the core material

- "F" - Ferrite core
- "S" - Sendust core
- "I" - Iron core
- "N" - Nanocrystalline core

Indicates the core dimension

Indicates the type of mount

- "V" - Vertical
- "H" - Horizontal

Indicates the type of product

- "C" - Common mode chokes
- "N" - Normal chokes
- "S" - Special chokes

Common Mode Chokes List

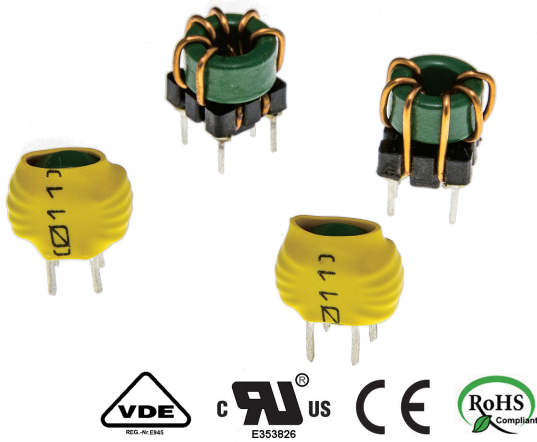
No.	Series	Type	Core Material	Inductance	Current (A)	Base	Cover	Page
1	CV100F	T10	Ferrite Core	12uH-25uH	3.0A-6.4A	X		3
2	CV120F	T120	Ferrite Core	0.22mH to 3.0 mH	3.2A-6.4A			4
3	CV130F	T13	Ferrite Core	3.0mH	3.2A- 4A			5
4	CV160F	T16	Ferrite Core	1.5mH-10.0mH	1.0A-3.0A	X		6
5	CV160N	N16	Nanocrystalline core	8.0mH-20.0mH	1.0A-5A			7
6	CV180F	T18	Ferrite Core	20mH to 25 mH	3.6A-4A			8
7	CV200N	T20	Nanocrystalline core	1.0mH-82.0mH	1.0A-20A	X		9
8	CV220F	T22	Ferrite Core	1.0mH-15.0mH	1.0A-15.0A	X		10
9	CV250F	T25	Ferrite Core	2.2mH-10.0mH	1.0A-5.0A		X	11
10	CV250F	T25	Ferrite Core	470uH-10.0mH	1.0A-20A	X	X	12
11	CV310F	T31	Ferrite Core	1.0mH-20.0mH	1.0A-20A	X		13
12	CV360F	T36	Ferrite Core	1.0mH-15.0mH	0.7A-10A			14
13	CVU98F	UU9.9	Ferrite Core	1.8mH-30.0mH	0.25A-1.0A			15
14	CVU10F	UU10.5	Ferrite Core	1.8mH-30.0mH	0.25A-1.0A			16
15	CH148F	FT14	Ferrite Core	2.2mH-68.0mH	0.28A-1.39A			17

Line Chokes List

No.	Series	Type	Core Material	Inductance	Current (A)	Base	Cover	Page
1	NV080I	I80	Iron Core	100.0uH-1.0mH	0.5A-5.0A			18
2	NV090I	I90	Iron Core	10.0uH-470uH	1.0A-20A			19
3	NV090S	S90	Sendust Core	5.0uH-680.0uH	1.0A-20A			20
4	NV106S	S106	Sendust Core	100uH-680uH	6A-30A			21
5	NV106I	I106	Iron Core	5.0uH-100.0uH	1.0A-20A			22
6	NV130I	I130	Iron Core	10.0uH-1.5mH	1.0A-20A			23
7	NV130S	S130	Sendust Core	10.0uH-2.2mH	1.0A-20A			24
8	NV157S	S157	Sendust Core	90.0uH-810.0uH	1.0A-20A			25
9	NV184I	I184	Iron Core	150.0uH-1000.0uH	1.0A-20A			26
10	NV200I	I200	Iron Core	100uH-680uH	5A-30A			27
11	NV200N	N200	Nanocrystalline core	1.0mH-20.0mH	1.0A-6A	X		28

CV100F-Cover Series Common Mode Choke

12uH-25uH, Current 3.0A-6.4A



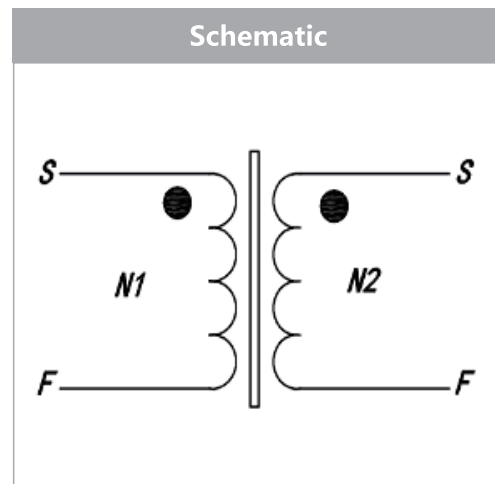
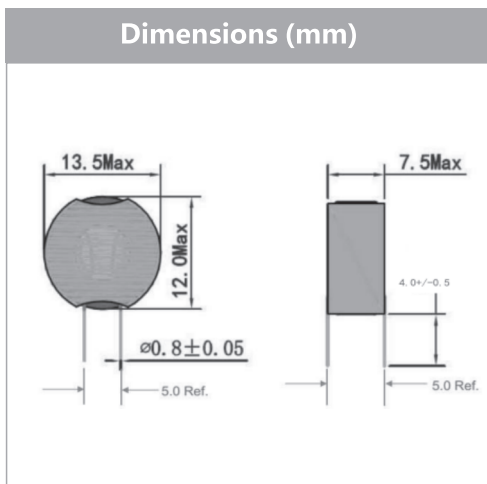
CHARACTERISTICS

- The core is made of Mn-Zn Ni-Zn
- Decreasing noise by using 100kHz to 100MHz
- Increases the anti-EMI ability
- Operating temp. -40 °C to +125°C

Electronic Specification

MN code	Rated current per winding (A)	Inductance Per winding (uH +50%/-30%)	DC resistance (mΩ)	Suggested PCB hole (mm)
173722	3.0	12.0	10.0	Φ0.85
173611	6.4	25.0	3.35	Φ1.2

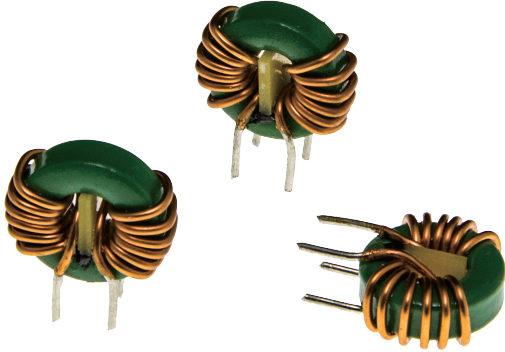
Remark: Testing conditions at 20°C, 10.0kHz, 0.1V; Testing voltage: 1500Vac – 50Hz, 3 sec, Related voltage: 250V-50Hz and +60°C ambient temperature.



We are ready to customise any of our standard products to meet your specific design needs!

CV120F Series Common Mode Choke

0.22mH-3.0mH, Current 3.2A-6.4A



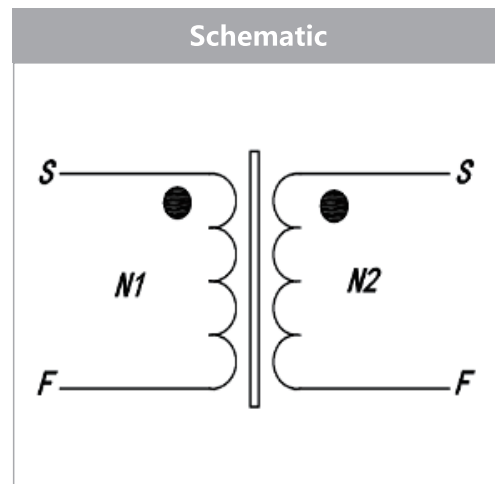
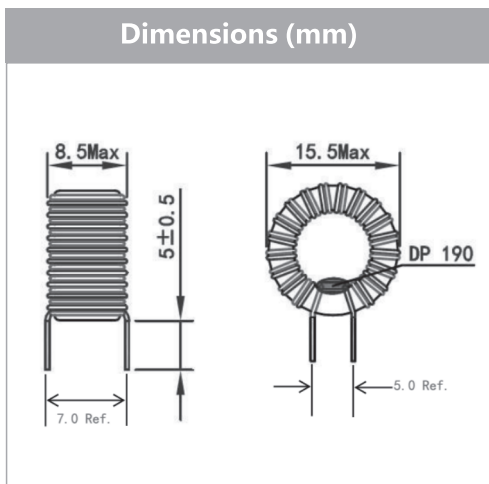
CHARACTERISTICS

- The core is made of Mn-Zn Ni-Zn
- Decreasing noise by using 100kHz to 100MHz
- Increases the anti-EMI ability
- Operating temp. -40 °C to +125°C

Electronic Specification

MN code	Rated current per winding (A)	Inductance Per winding (mH +50%/-30%)	DC resistance (mΩ)	Suggested PCB hole (mm)
173684	6.4	0.22	5.0	Φ0.12

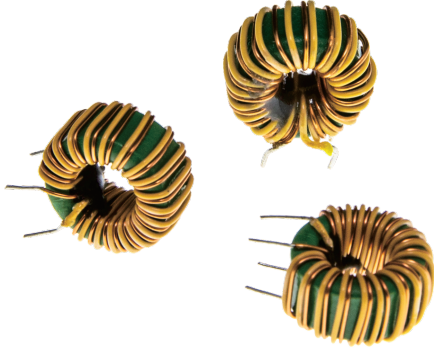
Remark: Testing conditions at 20°C, 10.0kHz, 0.1V; Testing voltage: 1500Vac – 50Hz, 3 sec, Related voltage: 250V-50Hz and +60°C ambient temperature.



We are ready to customise any of our standard products to meet your specific design needs!

CV130F Series Common Mode Choke

3.0mH, Current 3.2A-4A



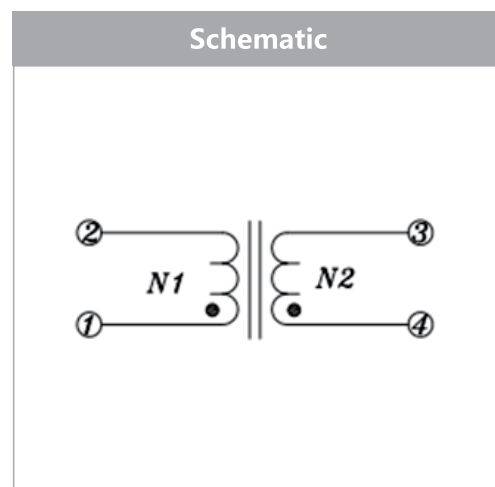
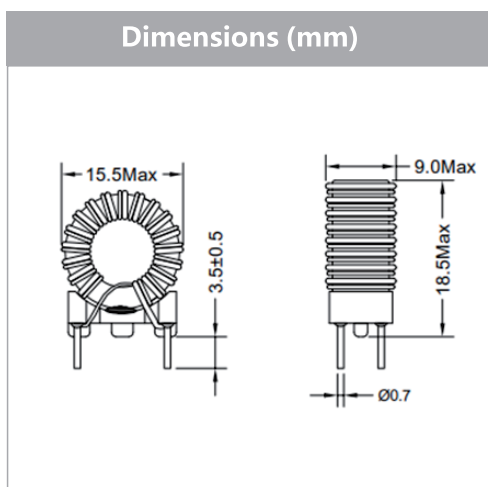
CHARACTERISTICS

- The core is made of Mn-Zn Ni-Zn
- Decreasing noise by using 100kHz to 100MHz
- Increases the anti-EMI ability
- Operating temp. -40 °C to +125°C

Electronic Specification

MN code	Rated current per winding (A)	Inductance Per winding (mH+25%/-25%)	DC resistance (mΩ)	Suggested PCB hole (mm)
173682	4.0	3.0	35.0	Φ0.9
173632	3.2	3.0	50.0	Φ0.8

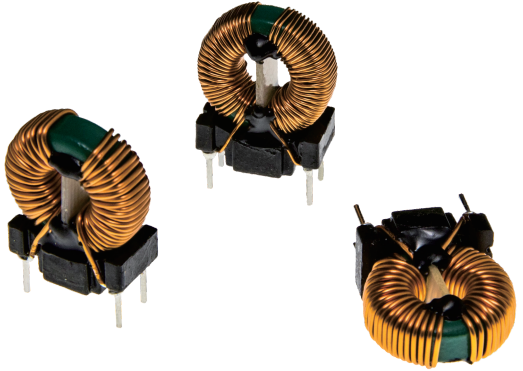
Remark: Testing conditions at 20°C, 10.0kHz, 0.1V; Testing voltage: 1500Vac – 50Hz, 3 sec, Related voltage: 250V-50Hz and +60°C ambient temperature.



We are ready to customise any of our standard products to meet your specific design needs!

CV160F Series Common Mode Choke

15.0mH-10.0mH, Current 1.0A-3.0A



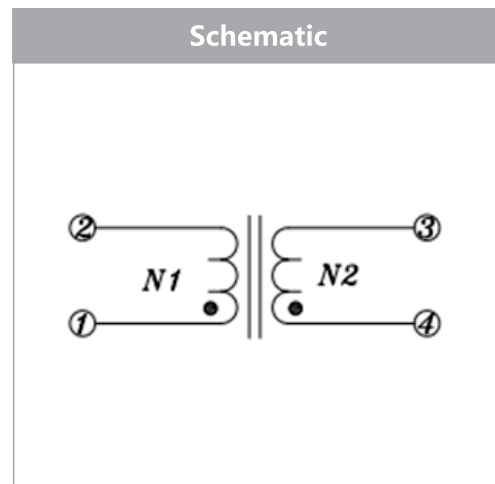
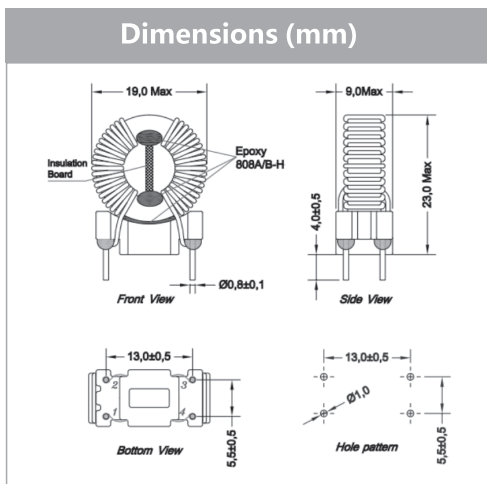
CHARACTERISTICS

- The core is made of ferrite
- Decreasing noise by using 10kHz to 200MHz
- It is mainly applied in AC inductor converter, switch power supplies, EMC filter, wind power, household appliances
- Operating temp. -40 °C to +125°C

Electronic Specification

MN code	Rated current per winding (A)	Inductance Per winding (mH-30%/+50%)	DC resistance (mΩ)	Suggested PCB hole (mm)
174100	3.0 Max	1.5	10.0 Max	Φ1.0
174101	2.5 Max	3.5	30.0 Max	Φ1.0
174104	2.0 Max	5.0	45.0Max	Φ1.0
174103	1.0 Max	10.0	130.0 Max	Φ1.0

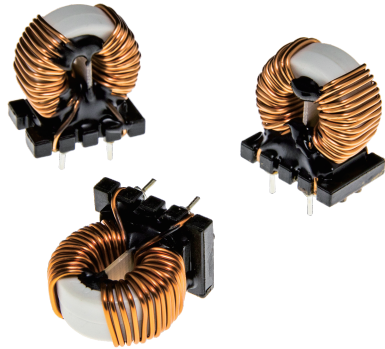
Remark: Testing conditions at 20°C, 10.0kHz, 0.1V; Testing voltage: 1500Vac – 50Hz, 3 sec, Related voltage: 250V-50Hz and +60°C ambient temperature.



We are ready to customise any of our standard products to meet your specific design needs!

CV160N Series Common Mode Choke

8.0mH-20.0mH, Current 1.0A-5.0A



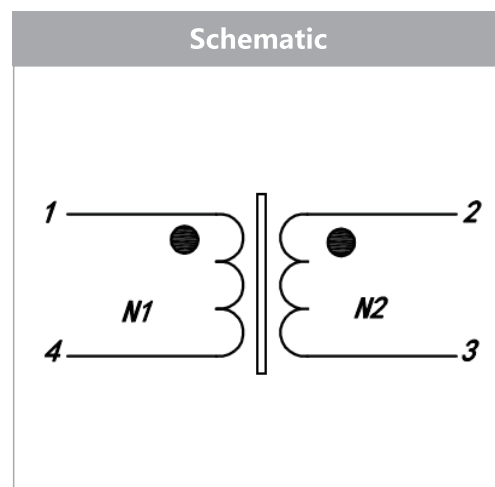
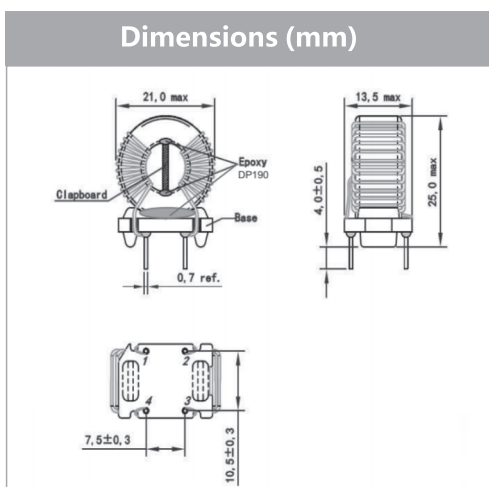
CHARACTERISTICS

- The core is made of Nanocrystalline
- Decreasing noise by using 10kHz to 200MHz
- It is mainly applied in AC inductor converter, switch power supplies, EMC filter, wind power, household appliances
- Operating temp. -65 °C to +125°C

Electronic Specification

MN code	Rated current per winding (A)	Inductance Per winding (mH-30%/+50%)	DC resistance (mΩ)	Suggested PCB hole (mm)
174110	5.0 Max	8.0	10.0 Max	Φ1.2
174111	3.5 Max	20.0	20.0Max	Φ1.0
173620	1.0 Max	33.0	100.0 Max	Φ0.7

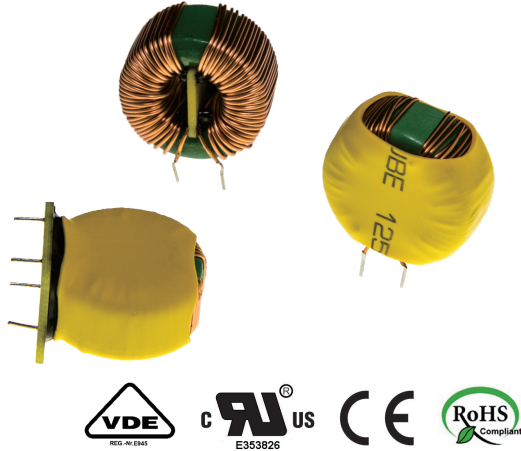
Remark: Testing conditions at 20°C, 10.0kHz, 0.1V; Testing voltage: 1500Vac – 50Hz, 3 sec, Related voltage: 250V-50Hz and +60°C ambient temperature.



We are ready to customise any of our standard products to meet your specific design needs!

CV180F Series Common Mode Choke

20mH-25mH, Current 3.6A-4.0A



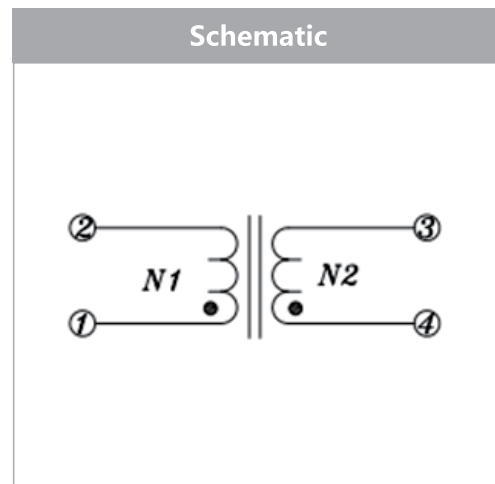
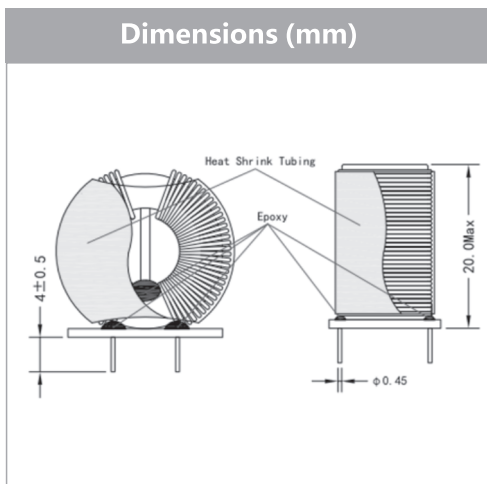
CHARACTERISTICS

- The core is made of Mn-Zn Ni-Zn
- Decreasing noise by using 100kHz to 100MHz
- Increases the anti-EMI ability
- Operating temp. -40°C to +125°C

Electronic Specification

MN code	Rated current per winding (A)	Inductance Per winding (mH-25%/+25%)	DC resistance (mΩ)	Suggested PCB hole (mm)
017438	1.5 Max	28	120	Φ0.85
173610	3.6 Max	25	120	Φ0.85
173683	4.0 Max	20	105	Φ0.9

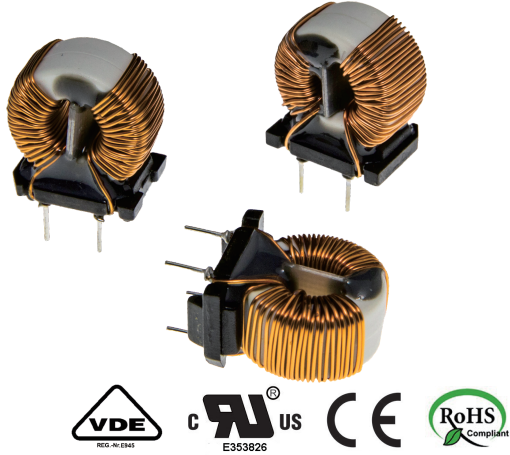
Remark: Testing conditions at 20°C, 10.0kHz, 0.1V; Testing voltage: 1500Vac – 50Hz, 3 sec, Related voltage: 250V-50Hz and +60°C ambient temperature.



We are ready to customise any of our standard products to meet your specific design needs!

CV200N Series Common Mode Choke

1.0mH-82mH, Current 1.0A-20A



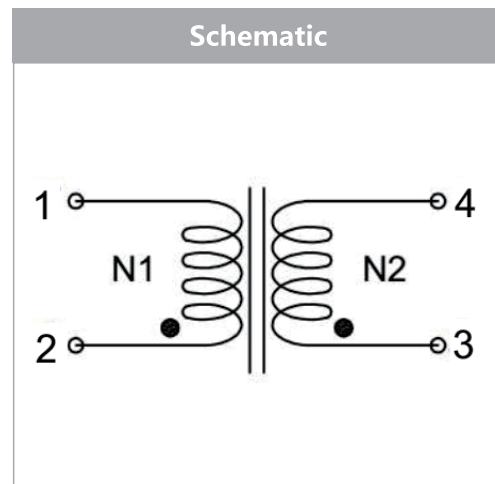
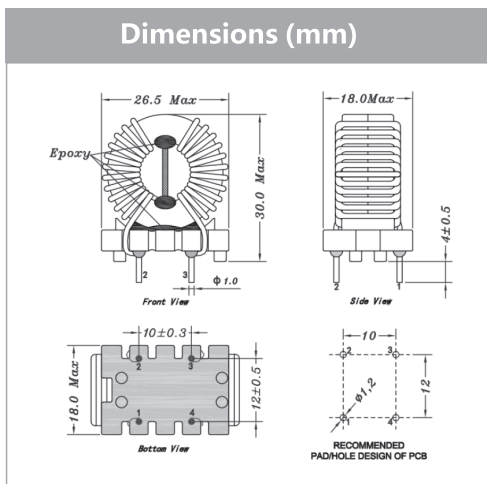
CHARACTERISTICS

- The core is made of Nanocrystalline
- Decreasing the noise by using 1kHz to 300MHz
- High and stable inductance values at high temperatures.
- Power line in – and output filter
- Suppression for common mode noise
- Operating temp. -40 °C to +125°C

Electronic Specification

MN code	Rated current per winding (A)	Inductance Per winding (mH-30%/+50%)	DC resistance (mΩ)	Suggested PCB hole (mm)
174120	20.0 Max	1.0	3.0 Max	Φ1.2
174121	18.0 Max	1.5	3.5 Max	Φ1.2
174122	15.0 Max	2.0	5.0 Max	Φ1.2
174123	11.0 Max	4.0	8.5 Max	Φ1.2
017443	5.0 Max	15.0	38.0 Max	Φ1.2
174124	2.5 Max	82.0	170.0 Max	Φ1.2

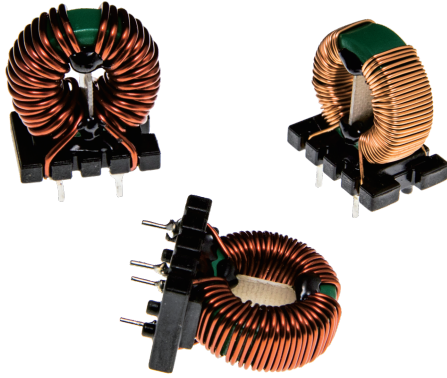
Remark: Testing conditions at 20°C, 10.0kHz, 0.1V; Testing voltage: 1500Vac – 50Hz, 3 sec, Related voltage: 250V-50Hz and +60°C ambient temperature.



We are ready to customise any of our standard products to meet your specific design needs!

CV220F Series Common Mode Choke

1.0mH-15mH, Current 1.0A-15A



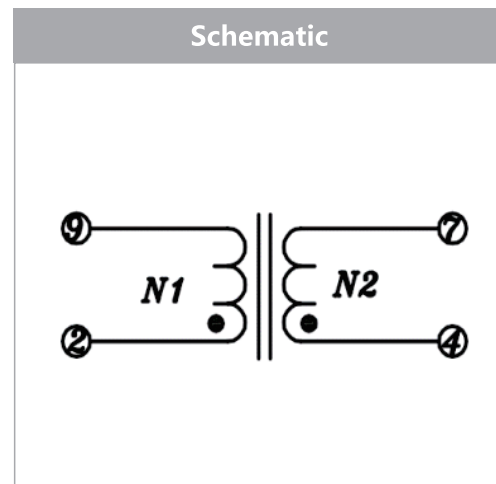
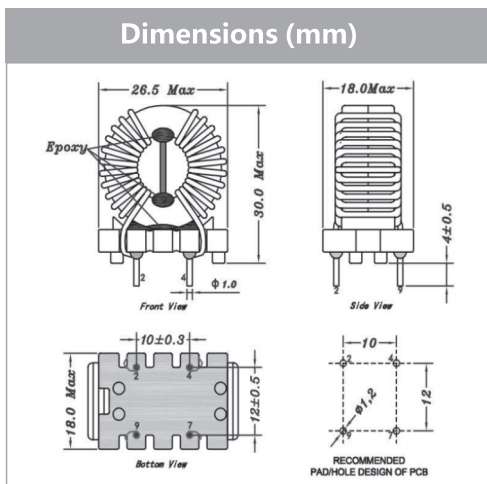
CHARACTERISTICS

- The core is made of Ferrite
- Decreasing noise by using 10kHz to 200MHz
- It is mainly applied in AC inductor converter, switch power supplies, EMC filter, wind power, household appliances
- Operating temp. -40 °C to +125°C

Electronic Specification

MN code	Rated current per winding (A)	Inductance Per winding (mH-30%/+50%)	DC resistance (mΩ)	Suggested PCB hole (mm)
174130	15.0 Max	1.0	1.0 Max	Φ1.2
174131	10.0 Max	2.5	10.0 Max	Φ1.2
174132	4.0 Max	5.0	27.0 Max	Φ1.2
174133	2.0 Max	10.0	65.0 Max	Φ1.2
174134	1.0 Max	15.0	140.0 Max	Φ1.2

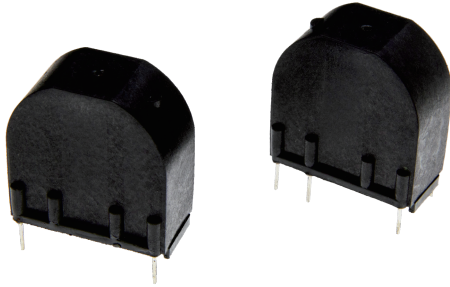
Remark: Testing conditions at 20°C, 10.0kHz, 0.1V; Testing voltage: 1500Vac – 50Hz, 3 sec, Related voltage: 250V-50Hz and +60°C ambient temperature.



We are ready to customise any of our standard products to meet your specific design needs!

CV250F Encapsulated Series Common Mode Choke

470uH-10.0mH, Current 1.0A-20A



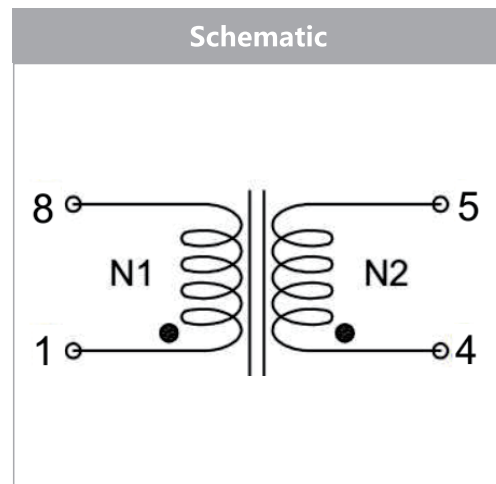
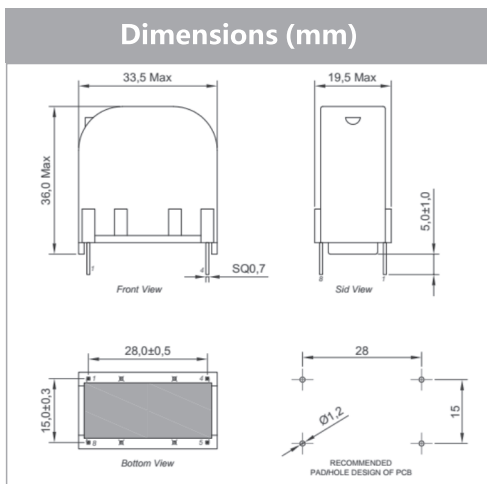
CHARACTERISTICS

- The core is made of Ferrite
- Decreasing noise by using 10kHz to 200MHz
- It is mainly applied in AC inductor converter, switch power supplies, EMC filter, wind power, household appliances
- Operating temp. -40 °C to +125°C

Electronic Specification

MN code	Rated current per winding (A)	Inductance Per winding (mH-30%/+50%)	DC resistance (mΩ)	Suggested PCB hole (mm)
174160	5.0 Max	2.2	40.0 Max	Φ1.2
174161	4.0 Max	3.3	65.0 Max	Φ1.2
173659	3.0 Max	5.3	50.0 Max	Φ1.2
174162	2.5 Max	6.8	110.0 Max	Φ1.2
174163	1.0 Max	10.0	150.0 Max	Φ1.2

Remark: Testing conditions at 20°C, 10.0kHz, 0.1V; Testing voltage: 1500Vac – 50Hz, 3 sec, Related voltage: 250V-50Hz and +60°C ambient temperature.



We are ready to customise any of our standard products to meet your specific design needs!

Add: No.128 Jinchuan Road, Zhenhai
315221 Ningbo China

Tel: +86 574 8630 7585
Fax: +86 574 8630 7571

Email: salescn@mascot.no
Websites: www.mascot.no

CV250F Series Common Mode Choke

2.2mH-10mH, Current 1.0A-5.0A



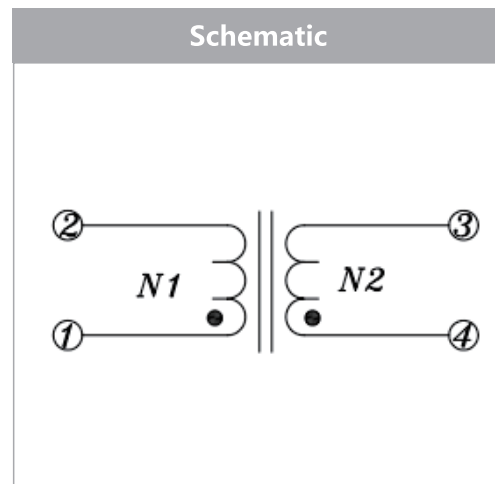
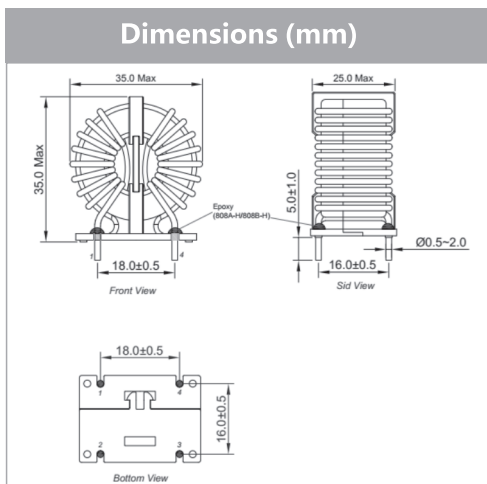
CHARACTERISTICS

- The core is made of Ferrite
- Decreasing noise by using 10kHz to 200MHz
- It is mainly applied in AC inductor converter, switch power supplies, EMC filter, wind power, household appliances
- Operating temp. -40 °C to +125°C

Electronic Specification

MN code	Rated current per winding (A)	Inductance Per winding (mH-30%/+50%)	DC resistance (mΩ)	Suggested PCB hole (mm)
174150	20.0 Max	0.47	5.0 Max	Φ2.0
174151	12.0 Max	1.0	10.0 Max	Φ1.5
174152	4.0 Max	3.0	30.0 Max	Φ1.0
174153	2.0 Max	5.0	80.0 Max	Φ0.8
174154	1.6 Max	8.0	100.0 Max	Φ0.8
174155	1.0Max	10.0	150.0 Max	Φ0.7

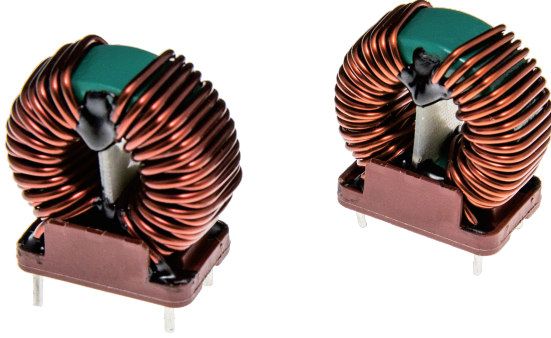
Remark: Testing conditions at 20°C, 10.0kHz, 0.1V; Testing voltage: 1500Vac – 50Hz, 3 sec, Related voltage: 250V-50Hz and +60°C ambient temperature.



We are ready to customise any of our standard products to meet your specific design needs!

CV310F Series Common Mode Choke

1.0mH-20.0mH, Current 1.0A-20A



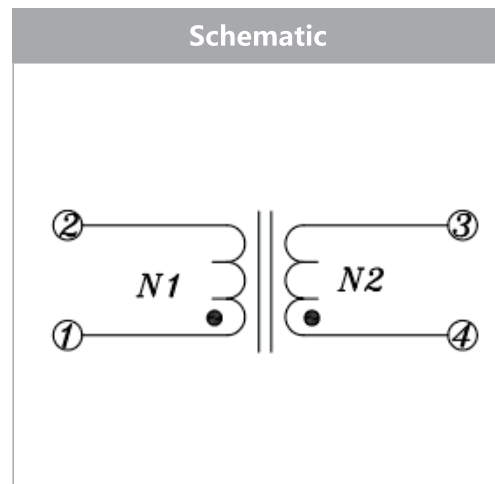
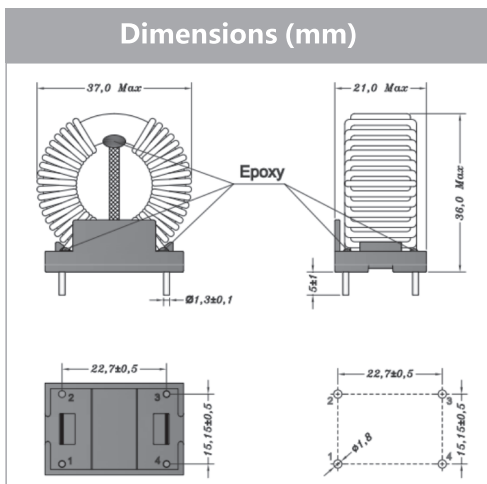
CHARACTERISTICS

- The core is made of Ferrite
- Decreasing noise by using 10kHz to 200MHz
- It is mainly applied in AC inductor converter, switch power supplies, EMC filter, wind power, household appliances
- Operating temp. -40 °C to +125°C

Electronic Specification

MN code	Rated current per winding (A)	Inductance Per winding (mH-30%/+50%)	DC resistance (mΩ)	Suggested PCB hole (mm)
174140	20.0 Max	1.0	0.02 Max	Φ2.2
174141	15.0 Max	5.6	13.0 Max	Φ1.8
174142	10.0 Max	10.0	15.0Max	Φ1.5
174143	5.0 Max	15.0	40.0 Max	Φ1.2
174144	1.0 Max	20.0	50.0 Max	Φ0.8

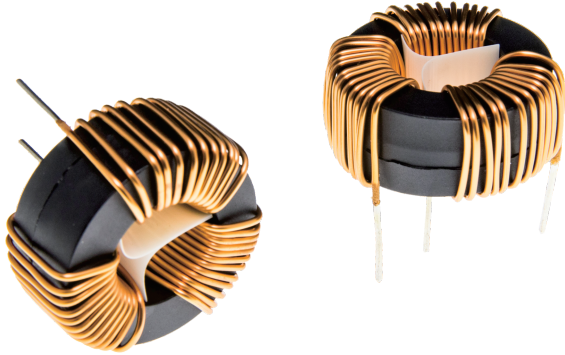
Remark: Testing conditions at 20°C, 10.0kHz, 0.1V; Testing voltage: 1500Vac – 50Hz, 3 sec, Related voltage: 250V-50Hz and +60°C ambient temperature.



We are ready to customise any of our standard products to meet your specific design needs!

CV360F Series Common Mode Choke

1.0mH-15.0mH, Current 0.7A-10A



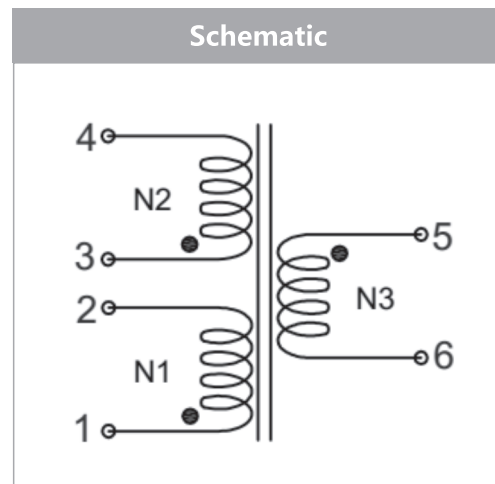
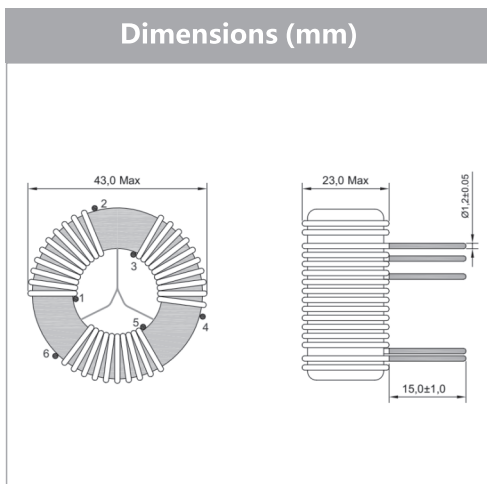
CHARACTERISTICS

- The core is made of Ferrite
- Decreasing noise by using 10kHz to 200MHz
- It is mainly applied in AC inductor converter, switch power supplies, EMC filter, wind power, household appliances
- Operating temp. -40 °C to +125°C

Electronic Specification

MN code	Rated current per winding (A)	Inductance Per winding (mH-30%/+50%)	DC resistance (mΩ)	Suggested PCB hole (mm)
174180	12.0 Max	1.0	5.0 Max	Φ1.8 1.5mm
173739	8.0 Max	1.5	15.0 Max	Φ1.5 1.2mm
174181	5.0 Max	3.0	20.0 Max	Φ1.2 1.0mm
174182	3.0 Max	5.0	45.0 Max	Φ1.0 0.8mm
174183	2.0 Max	6.0	90.0 Max	Φ0.8 0.6mm
174184	1.0Max	10.0	150.0 Max	Φ0.7 0.5mm

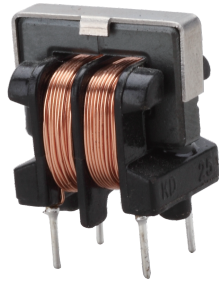
Remark: Testing conditions at 20°C, 10.0kHz, 0.1V; Testing voltage: 1500Vac – 50Hz, 3 sec, Related voltage: 250V-50Hz and +60°C ambient temperature.



We are ready to customise any of our standard products to meet your specific design needs!

CVU98F Series Common Mode Choke

1.8mH-30.0mH, Current 0.25A-1.0A



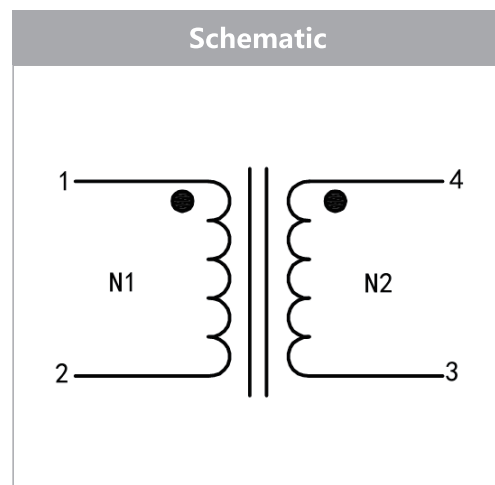
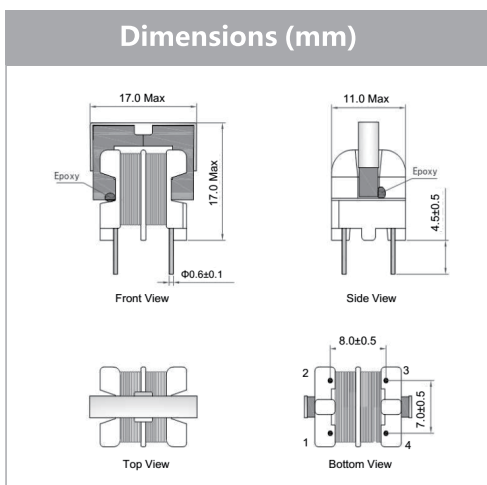
CHARACTERISTICS

- The core is made of high permeability ferrite
- Decreasing noise by using 10kHz to 100MHz
- Increases the anti-EMI ability
- Suppression of common mode noise
- Mains filter
- Compact switch mode power supplies
- Operating Temp.-40 °C to +125°C

Electronic Specification

MN code	Rated current per winding (A)	Inductance Per winding (mH+50%/-30%)	DC resistance (mΩ)	Suggested PCB hole (mm)
174350	1.0 Max	1.8	310.0 Max	Φ1.0
174351	0.8 Max	3.3	510.0 Max	Φ1.0
017336	0.45 Max	10.0	2000.0 Max	Φ1.0

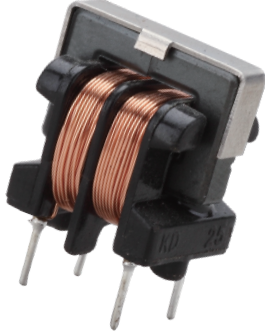
Remark: Testing conditions at 20°C, 1.0kHz,300mV; Testing voltage : 1500Vac – 50Hz, 2 sec, Related voltage: 250V-50Hz and +60°C ambient temperature



We are ready to customise any of our standard products to meet your specific design needs!

CVU10F Series Common Mode Choke

1.8mH-30.0mH, Current 0.25A-1.0A



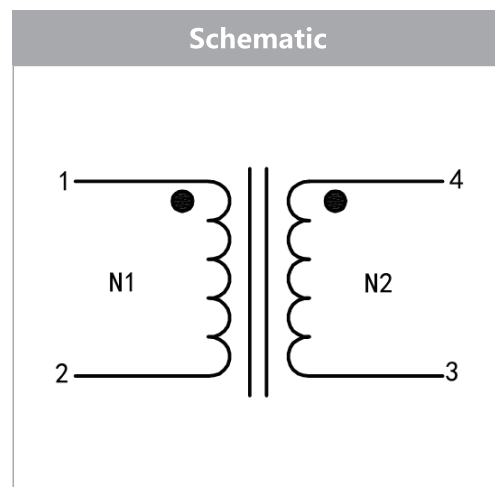
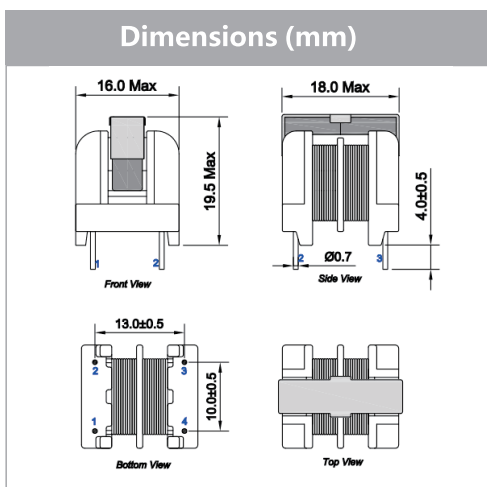
CHARACTERISTICS

- The core is made of high permeability ferrite
- Decreasing noise by using 10kHz to 100MHz
- Increases the anti-EMI ability
- Suppression of common mode noise
- Mains filter
- Compact switch mode power supplies
- Operating Temp.-40 °C to +125°C

Electronic Specification

MN code	Rated current per winding (A)	Inductance Per winding (mH+50%/-30%)	DC resistance (mΩ)	Suggested PCB hole (mm)
174352	0.3 Max	18.0	3100.0 Max	Φ1.0
174353	0.25 Max	25.0	3600.0 Max	Φ1.0
173721	0.4 Max	30.0	5500.0 Max	Φ1.0

Remark: Testing conditions at 20°C, 1.0kHz,300mV; Testing voltage : 1500Vac – 50Hz, 2 sec, Related voltage: 250V-50Hz and +60°C ambient temperature



We are ready to customise any of our standard products to meet your specific design needs!

CH148F Series Common Mode Choke

2.2mH-68mH, Current 0.28A-1.39A



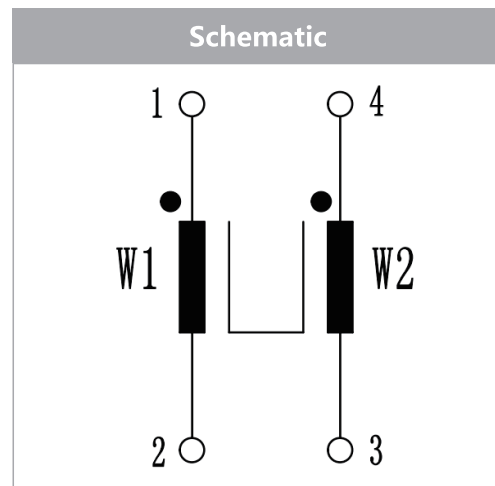
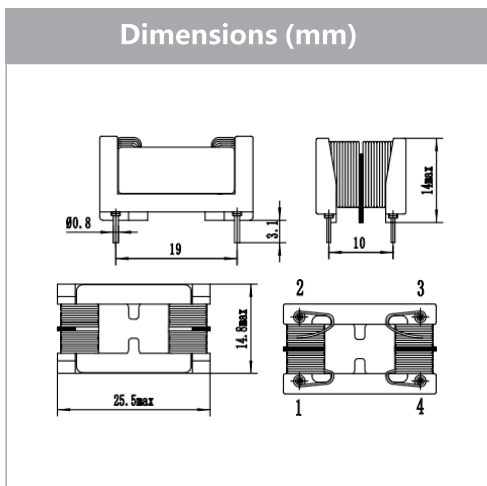
CHARACTERISTICS

- The core is made of Mn-Zn Ni-Zn
- Decreasing noise by using 30kHz to 300MHz
- Increases the anti-EMI ability
- It is mainly applied in LED driver and power of telecoms which need compact size
- Operating temp -40 °C to +125°C

Electronic Specification

MN code	Rated current per winding (A)	Inductance Per winding (mH)	Diameter of Wire (mm)
174400	1.39	2.2+-30%	0.47
174401	1.27	3.3+-30%	0.45
174402	1.06	6.8+-30%	0.41
174403	0.96	10+-25%	0.39
174404	0.77	15+-25%	0.35
174405	0.6	22+-20%	0.31
174406	0.53	27+-20%	0.29
174407	0.46	30+-20%	0.27
174408	0.39	33+-20%	0.25
174409	0.33	47+-20%	0.23
174410	0.28	68+-20%	0.21

Remark: Testing conditions at 1.0kHz,0.3V; Testing voltage : 1500Vac – 50Hz, 10mA,60 sec



We are ready to customise any of our standard products to meet your specific design needs!

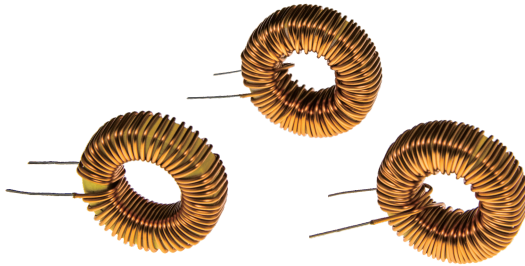
Add: No.128 Jinchuan Road, Zhenhai
315221 Ningbo China

Tel: +86 574 8630 7585
Fax: +86 574 8630 7571

Email: salescn@mascot.no
Websites: www.mascot.no

NV080I Series Chokes

100uH-1.0mH, Current 0.5A-5.0A



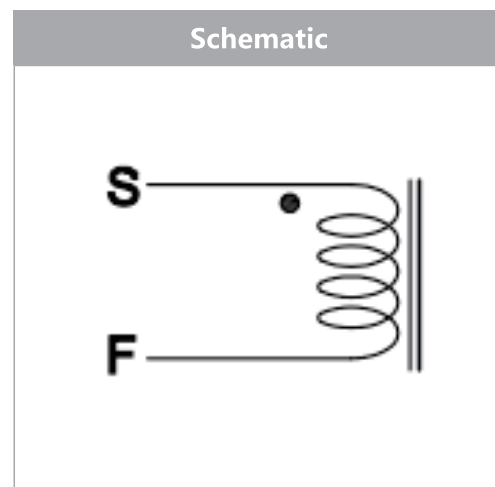
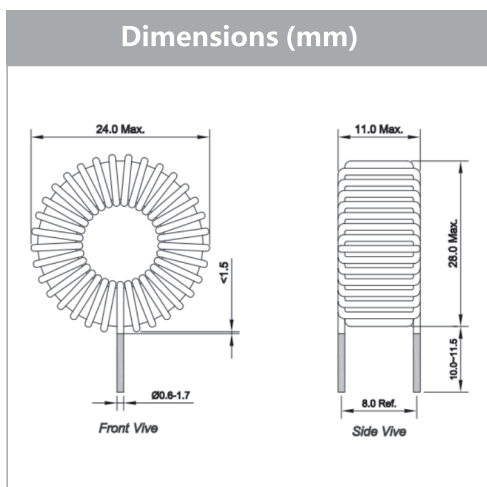
CHARACTERISTICS

- The core is made of Iron Powder
- Decreasing noise by using 10kHz to 200MHz
- It is mainly applied in AC inductor converter, switch power supplies, EMC filter, wind power, household appliances
- Operating temp. -40 °C to +125°C

Electronic Specification

MN code	Rated current per winding (A)	Inductance Per winding (mH-20%/+20%)	DC resistance (mΩ)	Suggested PCB hole (mm)
174200	0.5 Max	1.0	800.0 Max	Φ0.5
174201	1.0 Max	0.86	270.0 Max	Φ0.7
174202	3.0 Max	0.47	110.0Max	Φ1.0
174203	5.0 Max	0.1	35.0 Max	Φ1.2

Remark: Testing conditions at 20°C, 10.0kHz, 0.1V; Testing voltage: 1500Vac – 50Hz, 3 sec, Related voltage: 250V-50Hz and +60°C ambient temperature.



We are ready to customise any of our standard products to meet your specific design needs!

NV090I Series Chokes

10uH-470uH, Current 1.0A-20A



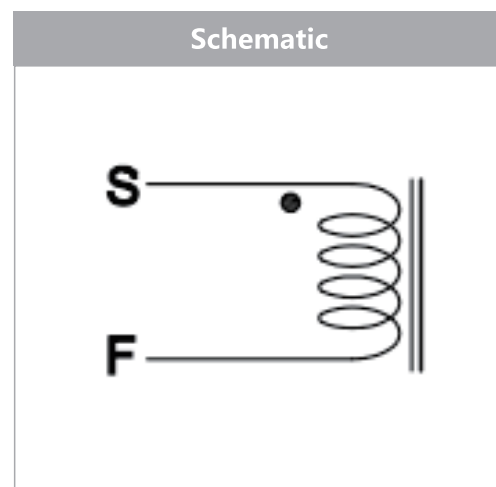
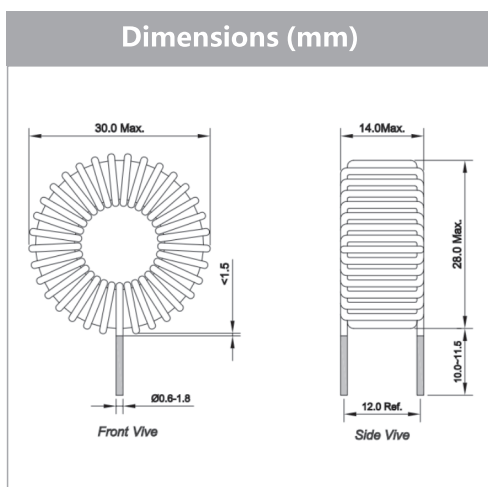
CHARACTERISTICS

- The core is made of Iron Powder
- Decreasing noise by using 10kHz to 200MHz
- It is mainly applied in AC inductor converter, switch power supplies, EMC filter, wind power, household appliances
- Operating temp. -65 °C to +125°C

Electronic Specification

MN code	Rated current per winding (A)	Inductance Per winding (uH-20%/+20%)	DC resistance (mΩ)	Suggested PCB hole (mm)
174210	1.0 Max	470	350.0 Max	Φ0.6
174211	5.0 Max	150	35.0 Max	Φ1.2
174212	10.0 Max	47	10.0Max	Φ1.5
174213	20.0 Max	10	4.5 Max	Φ2.0

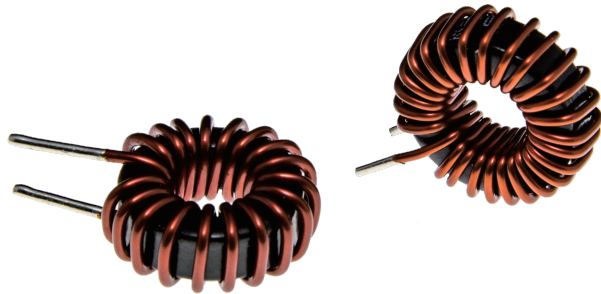
Remark: Testing conditions at 20°C, 10.0kHz, 0.1V; Testing voltage: 1500Vac – 50Hz, 3 sec, Related voltage: 250V-50Hz and +60°C ambient temperature.



We are ready to customise any of our standard products to meet your specific design needs!

NV090S Series Chokes

5.0uH-680uH, Current 1.0A-20A



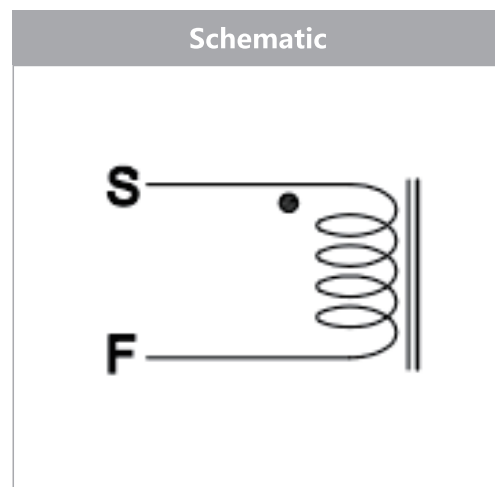
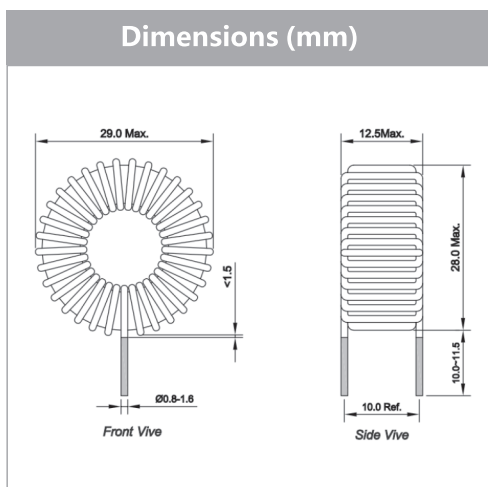
CHARACTERISTICS

- The core is made of Sendust
- Decreasing the noise by using 10kHz to 10MHz
- It is mainly applied in AC inductor converter, switch power supplies, EMC filter, wind power, household appliances
- Operating temp. -65 °C to +125°C

Electronic Specification

MN code	Rated current per winding (A)	Inductance Per winding (uH-20%/+20%)	DC resistance (mΩ)	Suggested PCB hole (mm)
174220	1.0 Max	680.0	1000.0 Max	Φ0.6
174221	3.0 Max	270.0	250.0 Max	Φ0.8
174222	5.0 Max	72.0	50.0 Max	Φ1.2
174223	10.0 Max	33.0	20.0 Max	Φ1.5
174224	20.0 Max	5.0	3.5 Max	Φ2.0

Remark: Testing conditions at 20°C, 10.0kHz, 0.1V; Testing voltage: 1500Vac – 50Hz, 3 sec, Related voltage: 250V-50Hz and +60°C ambient temperature.



We are ready to customise any of our standard products to meet your specific design needs!

NV106S Series Chokes

100uH-680uH, Current 6.0A-30A



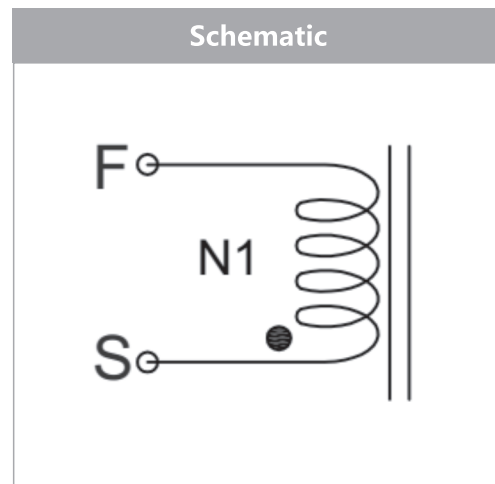
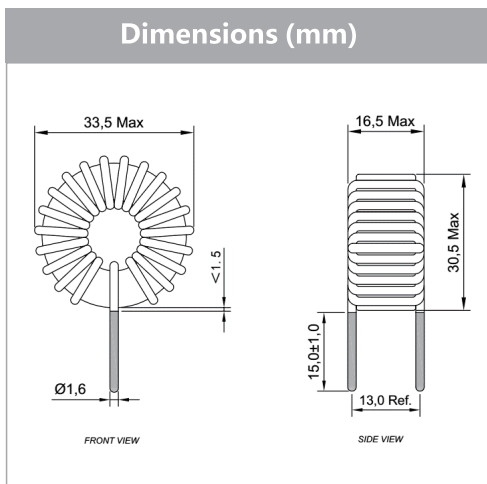
CHARACTERISTICS

- The core is made of Sendust
- Decreasing noise by using 10kHz to 200MHz
- It is mainly applied in AC inductor converter, switch power supplies, EMC filter, wind power, household appliances
- Operating temp. -40 °C to +125°C

Electronic Specification

MN code	Rated current per winding (A)	Inductance Per winding (uH-15%/+15%)	DC resistance (mΩ)	Suggested PCB hole (mm)
174230	30.0 Max	5.6	3.0 Max	Φ2.8
174231	25.0 Max	10.0	2.0 Max	Φ2.5
174232	15.0 Max	27.0	5.0 Max	Φ2.2
174233	12.0 Max	47.0	6.5 Max	Φ2.0
173737	10.0Max	68.0	10.0 Max	Φ1.8
174234	6.0 Max	100.0	20.0 Max	Φ1.5

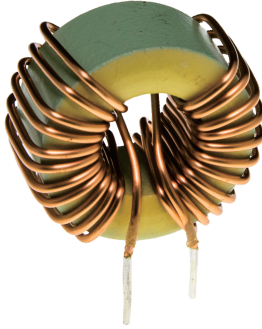
Remark: Testing conditions at 20°C, 10.0kHz, 0.1V; Testing voltage: 1500Vac – 50Hz, 3 sec, Related voltage: 250V-50Hz and +60°C ambient temperature.



We are ready to customise any of our standard products to meet your specific design needs!

NV106I Series Chokes

5.0uH-100uH, Current 1.0A-20A



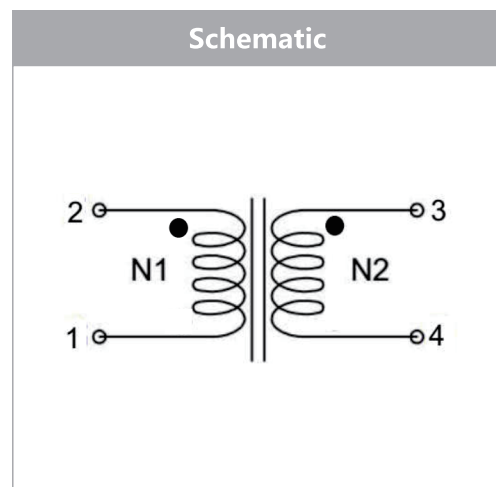
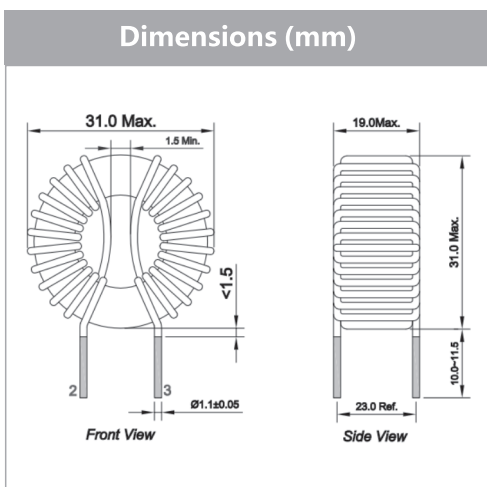
CHARACTERISTICS

- The core is made of Iron Powder
- Decreasing noise by using 10kHz to 200MHz
- It is mainly applied in AC inductor converter, switch power supplies, EMC filter, wind power, household appliances
- Operating temp. -65 °C to +125°C

Electronic Specification

MN code	Rated current per winding (A)	Inductance Per winding (uH-10%/+10%)	DC resistance (mΩ)	Suggested PCB hole (mm)
174240	20.0 Max	5.0	2.0 Max	Φ2.2
173790	7.0 Max	15.0	15.0 Max	Φ1.3
174241	3.5 Max	20.0	25.0 Max	Φ1.0
174242	2.0 Max	42.0	75.0 Max	Φ0.8
174243	1.0 Max	100.0	170.0 Max	Φ0.6

Remark: Testing conditions at 20°C, 10.0kHz, 0.1V; Testing voltage: 1500Vac – 50Hz, 3 sec, Related voltage: 250V-50Hz and +60°C ambient temperature.



We are ready to customise any of our standard products to meet your specific design needs!

NV130I Series Chokes

10.0uH-1.5mH, Current 1.0A-20A



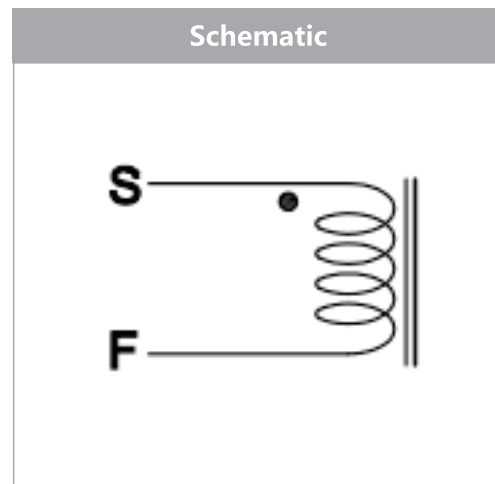
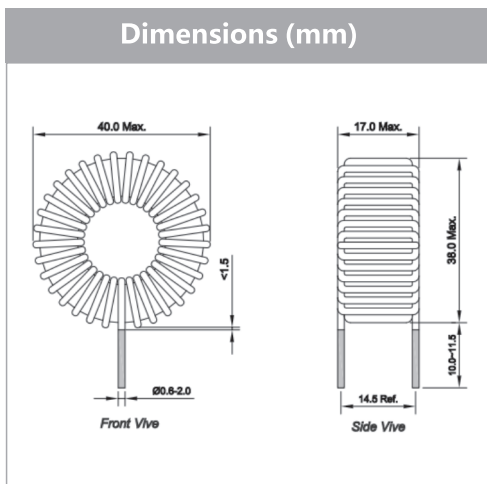
CHARACTERISTICS

- The core is made of Iron Powder
- Decreasing noise by using 100kHz to 10MHz
- It is mainly applied in AC inductor converter, switch power supplies, EMC filter, wind power, household appliances
- Operating temp. -65 °C to +125°C

Electronic Specification

MN code	Rated current per winding (A)	Inductance Per winding (uH-20%/+20%)	DC resistance (mΩ)	Suggested PCB hole (mm)
174250	1.0 Max	1500	450.0 Max	Φ0.7
174251	5.0 Max	680	77.0 Max	Φ1.2
174252	10.0 Max	100	20.0Max	Φ1.5
174253	20.0 Max	10	3.0 Max	Φ2.0

Remark: Testing conditions at 20°C, 10.0kHz, 0.1V; Testing voltage: 1500Vac – 50Hz, 3 sec, Related voltage: 250V-50Hz and +60°C ambient temperature.



We are ready to customise any of our standard products to meet your specific design needs!

NV130S Series Chokes

10.0uH-2.2mH, Current 1.0A-20A



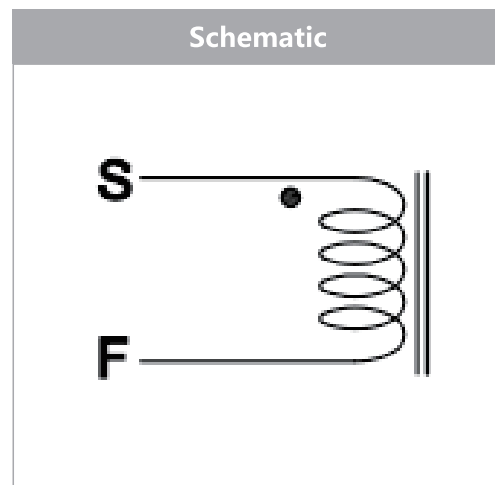
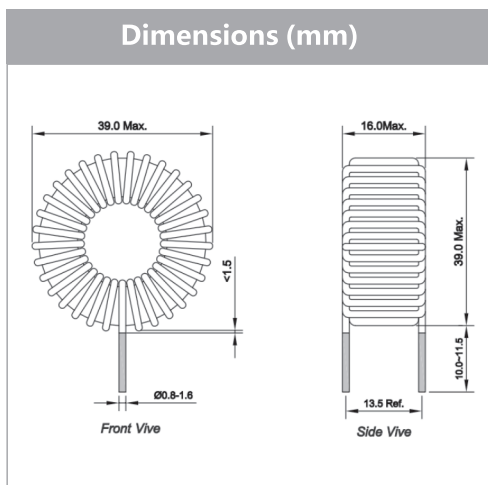
CHARACTERISTICS

- The core is made of Sendust
- Decreasing noise by using 10kHz to 10MHz
- It is mainly applied in AC inductor converter, switch power supplies, EMC filter, wind power, household appliances
- Operating temp. -65 °C to +125°C

Electronic Specification

MN code	Rated current per winding (A)	Inductance Per winding (uH-20%/+20%)	DC resistance (mΩ)	Suggested PCB hole (mm)
174260	1.0 Max	2200.0	1200.0 Max	Φ0.7
174261	3.0 Max	680.0	180.0 Max	Φ1.0
174262	5.0 Max	330.0	65.0 Max	Φ1.2
174263	10.0 Max	150.0	30.0 Max	Φ1.5
174264	20.0 Max	10.0	4.0 Max	Φ2.0

Remark: Testing conditions at 20°C, 10.0kHz, 0.1V; Testing voltage: 1500Vac – 50Hz, 3 sec, Related voltage: 250V-50Hz and +60°C ambient temperature.



We are ready to customise any of our standard products to meet your specific design needs!

NV157S Series Chokes

90.0uH-810uH, Current 1.0A-20A



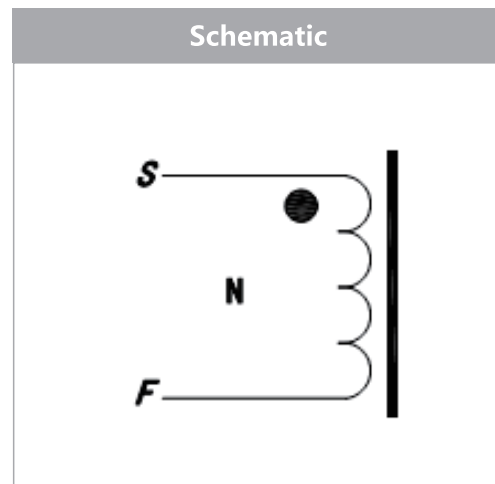
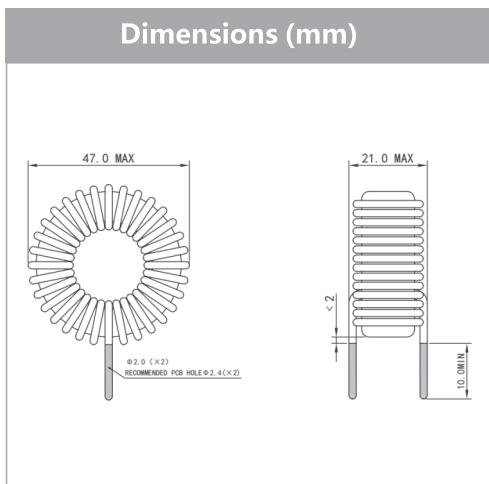
CHARACTERISTICS

- The core is made of Sendust
- Decreasing noise by using at 10kHz to 200MHz
- It is mainly applied in AC inductor converter, switch power supplies, EMC filter, wind power, household appliances
- Operating temp. -65 °C to +125°C

Electronic Specification

MN code	Rated current per winding (A)	Inductance Per winding (uH-10%/+10%)	DC resistance (mΩ)	Suggested PCB hole (mm)
173653	20.0 Max	90.0	10.0 Max	Φ2.2
174270	12.0 Max	130.0	30.0 Max	Φ1.7
174271	5.0 Max	260.0	65.0 Max	Φ1.2
174272	3.0 Max	518.0	170.0 Max	Φ0.8
174273	1.0 Max	810.0	320.0 Max	Φ0.7

Remark: Testing conditions at 20°C, 10.0kHz, 0.1V; Testing voltage: 1500Vac – 50Hz, 3 sec, Related voltage: 250V-50Hz and +60°C ambient temperature.



We are ready to customise any of our standard products to meet your specific design needs!

NV184I Series Chokes

150.0uH-1000.0uH, Current 1.0A-20A



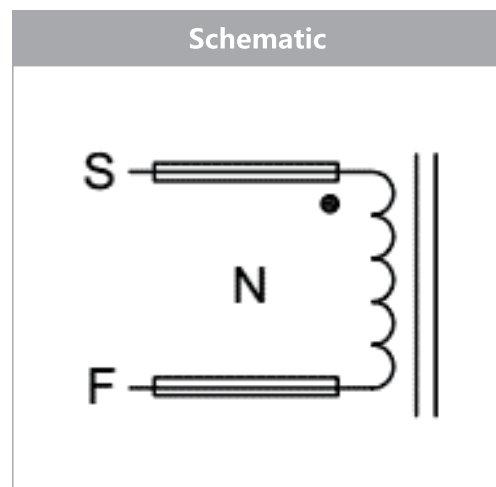
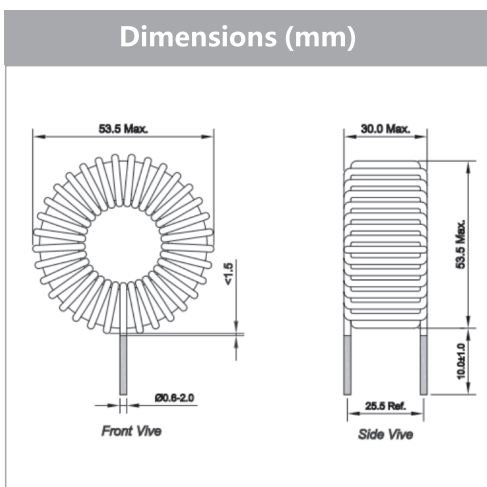
CHARACTERISTICS

- The core is made of Iron Powder
- Decreasing noise by using 10kHz to 200MHz
- It is mainly applied in AC inductor converter, switch power supplies, EMC filter, wind power, household appliances
- Operating temp. -65 °C to +125°C

Electronic Specification

MN code	Rated current per winding (A)	Inductance Per winding (uH-10%/+10%)	DC resistance (mΩ)	Suggested PCB hole (mm)
173649	20.0 Max	150.0	15.0 Max	Φ3.0
174280	12.0 Max	270.0	30.0 Max	Φ1.8
174281	5.0 Max	540.0	90.0 Max	Φ1.2
174282	2.5Max	820.0	220.0 Max	Φ0.9
174283	1.5 Max	1000.0	330.0 Max	Φ0.8

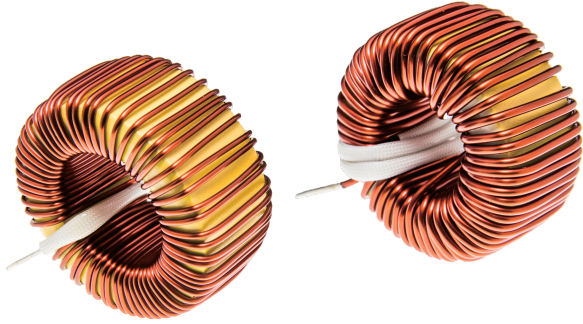
Remark: Testing conditions at 20°C, 10.0kHz, 0.1V; Testing voltage: 1500Vac – 50Hz, 3 sec, Related voltage: 250V-50Hz and +60°C ambient temperature.



We are ready to customise any of our standard products to meet your specific design needs!

NV200I Series Chokes

100.0uH-680.0uH, Current 5.0A-30A



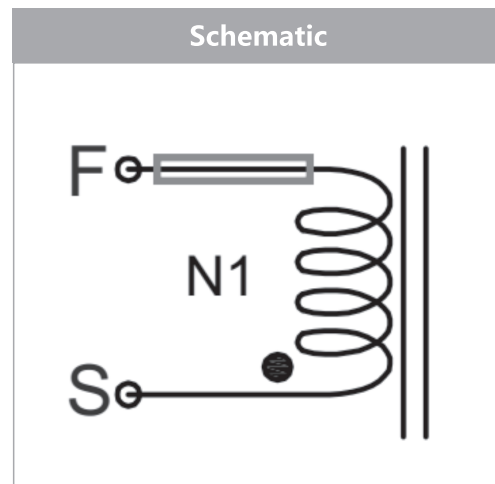
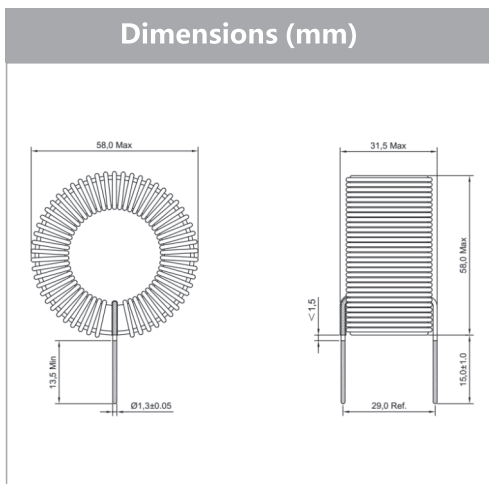
CHARACTERISTICS

- The core is made of Iron Powder
- Decreasing noise by using 10kHz to 200MHz
- It is mainly applied in AC inductor converter, switch power supplies, EMC filter, wind power, household appliances
- Operating temp. -65 °C to +125°C

Electronic Specification

MN code	Rated current per winding (A)	Inductance Per winding (uH-15%/+15%)	DC resistance (mΩ)	Suggested PCB hole (mm)
174310	30.0 Max	100.0	5.5 Max	Φ2.8
174311	25.0 Max	168.0	10.0 Max	Φ2.5
174312	15.0 Max	270.0	15.0 Max	Φ2.2
174313	12.0 Max	330.0	20.0 Max	Φ2.0
174314	10.0 Max	470.0	30.0 Max	Φ1.8
174315	6.0 Max	680.0	60.0 Max	Φ1.5

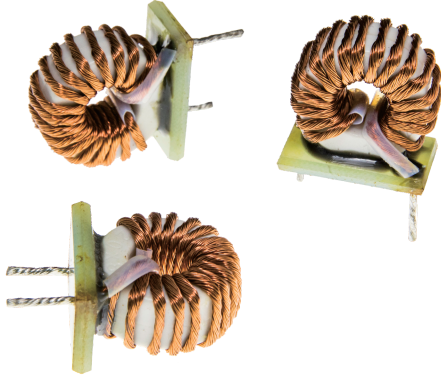
Remark: Testing conditions at 20°C, 10.0kHz, 0.3V; Testing voltage : 1000Vac – 50Hz, 3 sec, Related voltage: 250V-50Hz and +60°C ambient temperature.



We are ready to customise any of our standard products to meet your specific design needs!

NV200N Series Chokes

1.0mH-20.0mH, Current 1.0A-6A



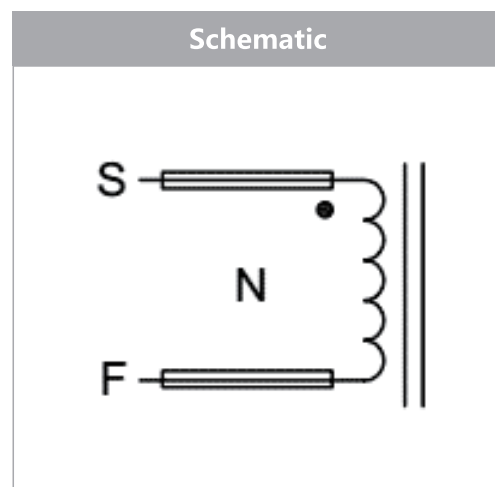
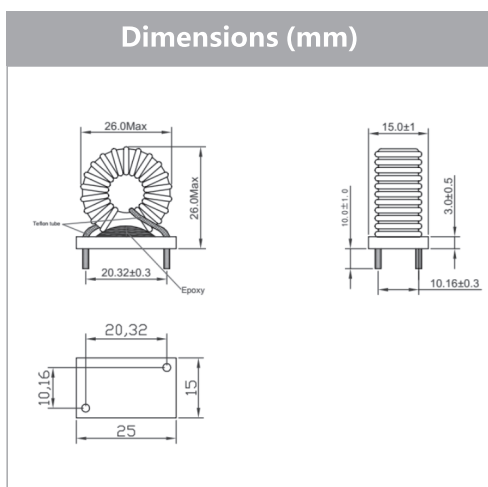
CHARACTERISTICS

- The core is made of Nanocrystalline
- Decreasing noise by using 10kHz to 200MHz
- It is mainly applied in AC inductor converter, switch power supplies, EMC filter, wind power, household appliances
- Operating temp. -65 °C to +125°C

Electronic Specification

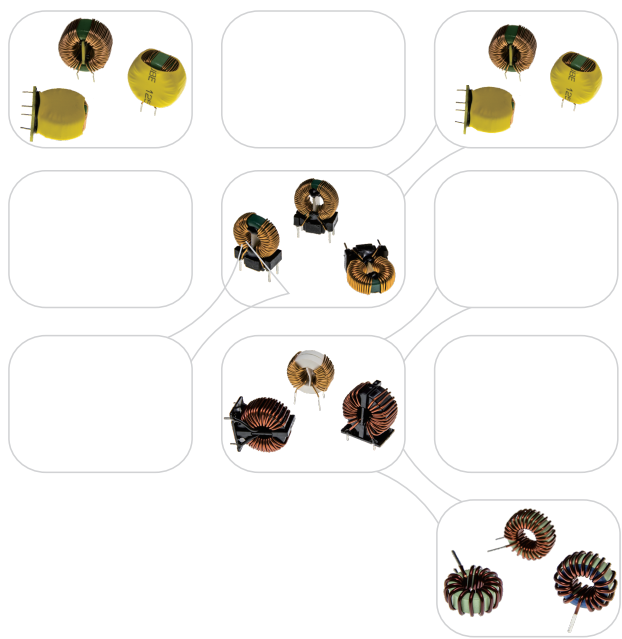
MN code	Rated current per winding (A)	Inductance Per winding (mH-15%/+30%)	DC resistance (mΩ)	Suggested PCB hole (mm)
173647	6.0 Max	1.5	15.0 Max	Φ2.2
174320	5.0 Max	4.0	20.0 Max	Φ1.2
174321	3.5 Max	8.0	40.0 Max	Φ1.0
174322	2.0Max	12.0	95.0 Max	Φ0.8
174323	1.0 Max	20.0	200.0 Max	Φ0.6

Remark: Testing conditions at 20°C, 10.0kHz,0.3V; Testing voltage : 1000Vac – 50Hz, 3 sec, Related voltage: 250V-50Hz and +60°C ambient temperature.



We are ready to customise any of our standard products to meet your specific design needs!





True to the power of quality

Mascot Power Supplies(Ningbo)Co.,Ltd
No.128 Jinchuan Road,Zhenhai
Ningbo 315221,China

Tel:+86 574 86307585
Fax:+86 574 86307571
Email:salescn@mascot.no

