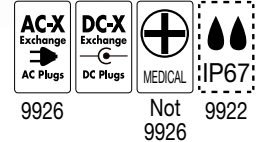


- 9920 - 3-pin IEC 320
- 9921 - 2-pin IEC 320
- 9922 - fixed mains cord / fast nettledding
- 9926 - exchangeable AC plugs / utskiftbare



- Universal input voltage (90-264 VAC)
- Mounting bracket available
- Order mains cord separately
- Approvals:
 - Medically certified (EN 60601)
 - UL approved
 - For updates: see www.mascot.no
- Universal inngangsspenning (90-264 VAC)
- Kan leveres med festebrakett
- Nettledding best. separat
- Godkjenninger:
 - Medisinsk sertifisert (EN 60601)
 - UL godkjent
 - For oppdat.: se www.mascot.no



Technical specifications	Tekniske data	13,2 V*
Input voltage:	Inngangsspenning:	90-264 VAC
Line frequency:	Frekvensområde:	47-63 Hz
Min. output current:	Min. laststrøm:	0A
Load regulation:	Lastregulering:	< 1%
Mains regulation:	Linjeregulering:	< 0,5%
Switch frequency approx.:	Svitsjefrekvens ca.:	40 kHz
Overshoot (90-10% load variation):	Oversving (90-10% lastvariasjon):	< 300 mV
Undershoot (10-90% load variation):	Undersving (10-90% lastvariasjon):	< 300 mV
Hold-up time:	Hold-up time:	> 20 ms
Temperature range	Temperaturområde	
• Operating:	• Drift:	-20 - +40°C
• With derating:	• Med derating:	+60°C
• Storage:	• Lagring:	-25 - +85°C
Derating:	Derating:	1W/°C over 40°C
Derating UL-version:	Derating UL-versjon:	TA from 30 to 40°C : 32W
Ripple:	Rippel:	50 mV p-p
Efficiency (at 100% load, 230 V):	Virkningsgrad (v. 100% last, 230 V):	ca 85 %
Current limiting:	Strømbegrensning:	Yes / Ja
Insulation class:	Isolasjonsklasse:	I
Insulation voltage	Isolasjonsspenning	
• Primary - secondary:	• Primær - sekundær:	4000 VAC / 5640 VDC
Safety:	Sikkerhet:	EN 60601-1, EN 60950, UL 60601-1
EMC standards	EMC standarder	
• Medical:	• Medisinsk:	EN 60601-1-2
• Emission:	• Emisjon:	EN 61000-6-3
• Immunity:	• Immunitet:	EN 61000-6-1
Reliability (MIL-HDBK-217F)	Pålitelighet (MIL-HDBK-217F)	MTBF > 100.000hrs at 25°C and full load
Output terminal:	Utgangsterminaler:	Cable / Kabel incl. / excl. plug
Dimensions (LxWxH):	Ytre mål (LxBxH):	107 x 67 x 36,5mm (9920-21-22)
Weight:	Vekt:	250g (450g IP67 vers.)

* Some technical specifications may differ for other models and voltage versions. / Visse tekniske data kan variere for de forskjellige modeller og spenningsversjoner.

Voltage versions - Spenningsversjoner

Output / Utgang (V)	Max. current / Maks. strøm (A)	Max. output power / Maks. utgangseffekt (W)
5 *	3,5	17,5
9 *	3	27
13,2	3	40
16	2,5	40
24	1,6	40
48	0,8	40

* UL-approval pending/
Avventer UL-godkjenning



Exchangeable AC plug models

Modeller med utskiftbare AC plugger

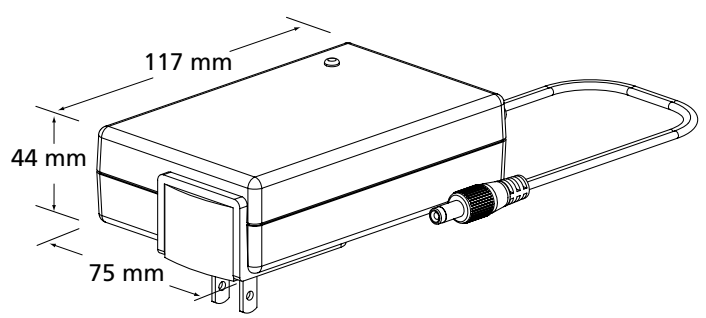
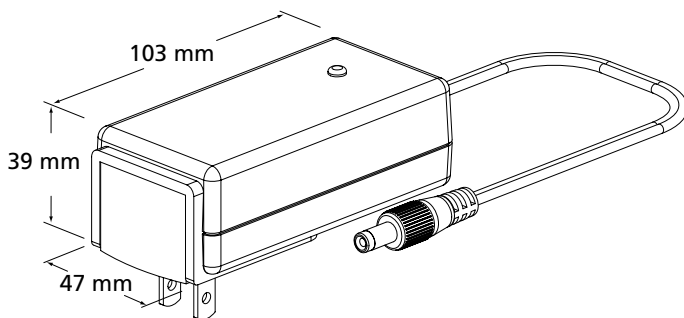
Available as: / Tilgjengelig som:

Small housing / liten boks		
Base model / Grunnmodell		w exch. AC plug
Type	Description / Beskrivelse	Type
2121	AC/DC PSU, max 10W	2123
2124	AC/DC PSU, max 16W	2126
2115	NiMH battery charger, max 1,3A	2116
2240	Lead Acid batt. charger, max 1,3A	2241
2240 LI	Li-Ion batt. charger, max 1,3A	2241 LI
Additional housing weight (excl. plug/cord) +15 g Tilleggsvekt (uten plugg/ledning) +15 g		

Medium housing / medium boks		
Base model / Grunnmodell		w exch. AC plug
Type	Description / Beskrivelse	Type
9921	AC/DC PSU, max 40W	9926
2720	AC/DC PSU, max 40W	2721
2541	Lead Acid batt. charger, max 2,2A	2542
9940	Lead Acid batt. charger, max 2,3A	9941
2215	NiMH battery charger, max 35W	2216
9940 LI	Li-Ion batt. charger, max 2,3A	9941 LI
2541 LI	Li-Ion batt. charger, max 2,7A	2542 LI
Additional housing weight (excl. plug/cord) +27 g Tilleggsvekt (uten plugg/ledning) +27 g		



IEC 320 mains cord / nettleledning 1800mm EU part no. 131306,
UK part no. 131148, US part no. 131147, AU part no. 013108



EXCHANGEABLE AC PLUG ADAPTERS

 EU plug Part no. 018110 Weight: 21g 37.6	 UK plug Part no. 018112 Weight: 30g 30.5	 US plug Part no. 018111 Weight: 14g 17.2	 AU plug Part no. 018114 Weight: 28g 31.3
--	--	--	--