

- Fixed output voltages
- High efficiency and low standby power (ErP Directive)
- 2-pin IEC 60320 conn. or fixed mains cable
- Short circuit proof, thermal protection
- Mounting bracket included
- ECO-design compliance:  
CoC Tier 2, DoE level VI, CEC, MEPS
- Approvals:  
Medically certified  
Safety: EN 60601-1 ed. 3.1  
EMC: EN 60601-1-2 ed. 4  
UL approved

For updates: see [www.mascot.no](http://www.mascot.no)



## TECHNICAL SPECIFICATIONS \*

### GENERAL INPUT/OUTPUT

|                                  |                     |
|----------------------------------|---------------------|
| <b>Load regulation:</b>          | <0.5%               |
| <b>Mains regulation:</b>         | <0.1%               |
| <b>Ripple:</b>                   | < 20mV p-p          |
| <b>Efficiency (100% load):</b>   | > 92%               |
| <b>Switch frequency approx.:</b> | 65 kHz              |
| <b>Hold up time:</b>             | > 20ms              |
| <b>Temperature range</b>         |                     |
| • <b>Operating:</b>              | -20 °C - +40 °C     |
| • <b>With derating:</b>          | +60 °C              |
| • <b>Storage:</b>                | -25 °C - +85 °C     |
| <b>Derating:</b>                 | 6.5W/ °C over 40 °C |
| <b>Dimensions (LxWxH):</b>       | 210 x 113 x 53mm    |
| <b>Weight:</b>                   | 1400 g              |

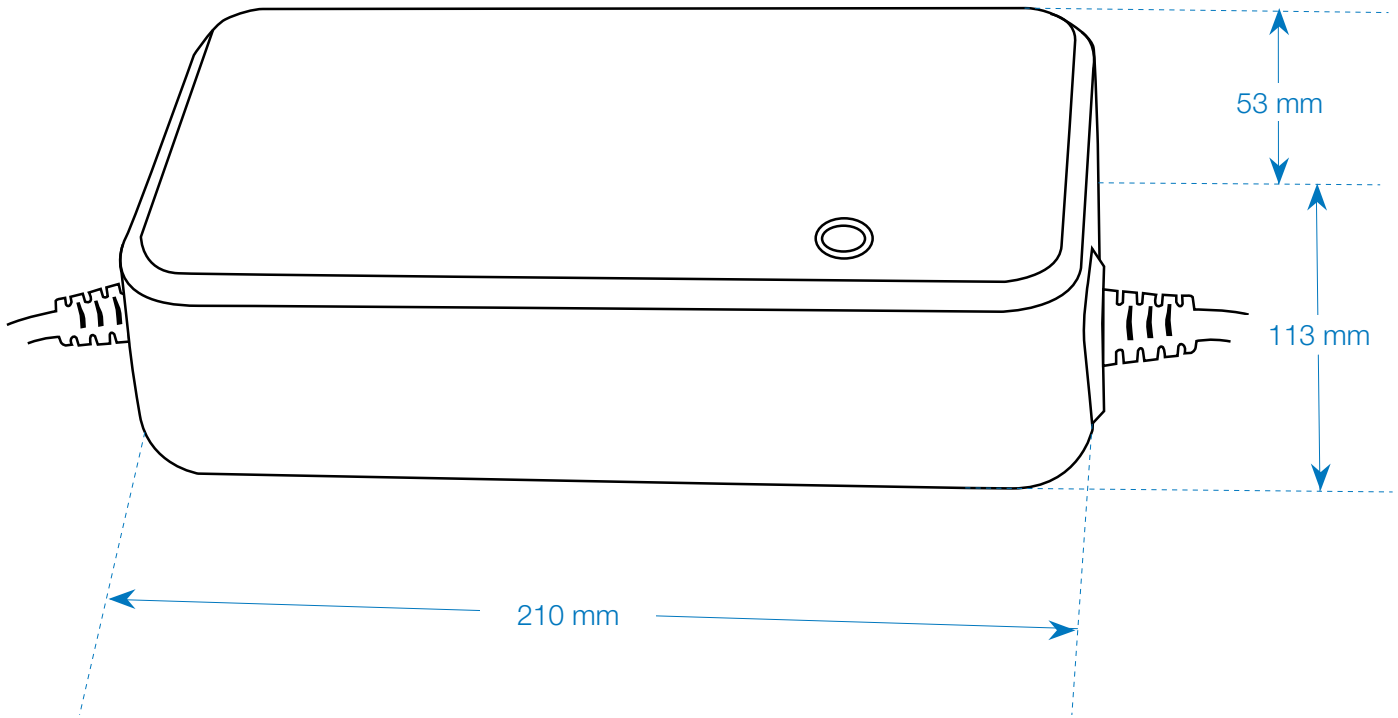
### SAFETY PROTECTION EMC

|                               |                                |
|-------------------------------|--------------------------------|
| <b>Insulation class:</b>      | Class II                       |
| <b>Insulation voltage</b>     |                                |
| <b>Primary - secondary:</b>   | 4000VAC / 5700VDC              |
| <b>Electrical safety std:</b> | EN/IEC/ANSI 60601              |
| <b>EMC standards</b>          | EN 60601-1-2: 2015 (Edition 4) |
| <b>Input terminal:</b>        | 2-pin IES 603440               |
|                               | or fixed mains cable           |
| <b>Output terminal:</b>       | Sec. Cord without plug         |
| <b>IP-Code:</b>               | 44 (IP41 with 2-pin IEC 60320) |

\* Some technical specifications may differ for other voltage versions.

## VERSIONS

| Input (VAC) | Output (VDC) |            | Max. current (A) | Max. output power (W) |
|-------------|--------------|------------|------------------|-----------------------|
|             | Nom.         | Adjustable |                  |                       |
| 198 - 264   | 12.5         | 12-13.2    | 17A (20A int.)   | 264                   |
| 198 - 264   | 24           | 22-26      | 10A              | 265                   |



**Mounting bracket, part no. 205800**

