

## CV120F Series Common Mode Choke

0.22mH-3.0mH, Current 3.2A-6.4A



### CHARACTERISTICS

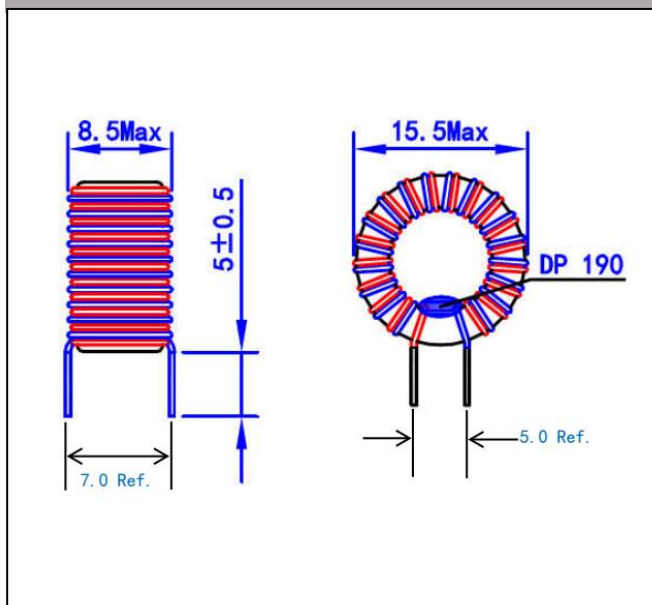
- & The core is made of Mn-Zn Ni-Zn
- & Decrease the noise by using at 100kHz to 100MHz
- & Increase the anti-EMI ability
- & Working at -40 °C to +125°C

### Electronic Specification

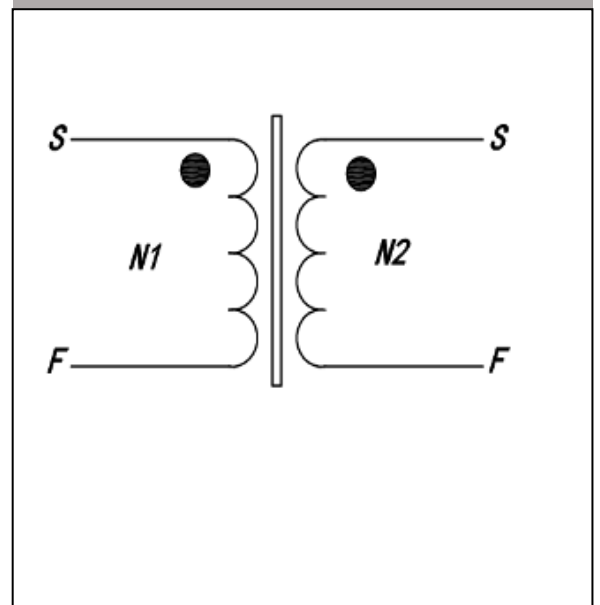
MN code	Rated current per winding (A)	Inductance Per winding (mH+50%/-30%)	DC resistance (mΩ)	Suggest PCB hole (mm)
173684	6.4	0.22	5	Φ1.2

Remark: Testing conditions at 20°C, 10.0kHz, 0.1V; Testing voltage : 1500Vac – 50Hz, 3 sec, Related voltage: 250V-50Hz and +60°C ambient temperature

### Dimension ( In mm)



### Schematic



**We can customize any of our standard products to meet your specific design need!**