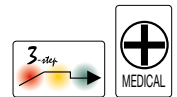


- 3-step charge control with current detection
- Input voltage 198-264 VAC
- Available in 115 VAC version on request
- Wake up and low current start-up of deeply discharged batteries
- Error indication for reverse polarity, charging of wrong lower voltage battery pack, defect battery and safety timer run-out
- Mounting bracket available
- Custom specifications on request
- Approvals:
 - Home healthcare EN 60601-1-11
 - Medically certified: Safety: EN 60601-1 ed. 3.1
 - UL approved



For updates: see www.mascot.no



TECHNICAL SPECIFICATIONS 8 CELL

GENERAL INPUT/OUTPUT

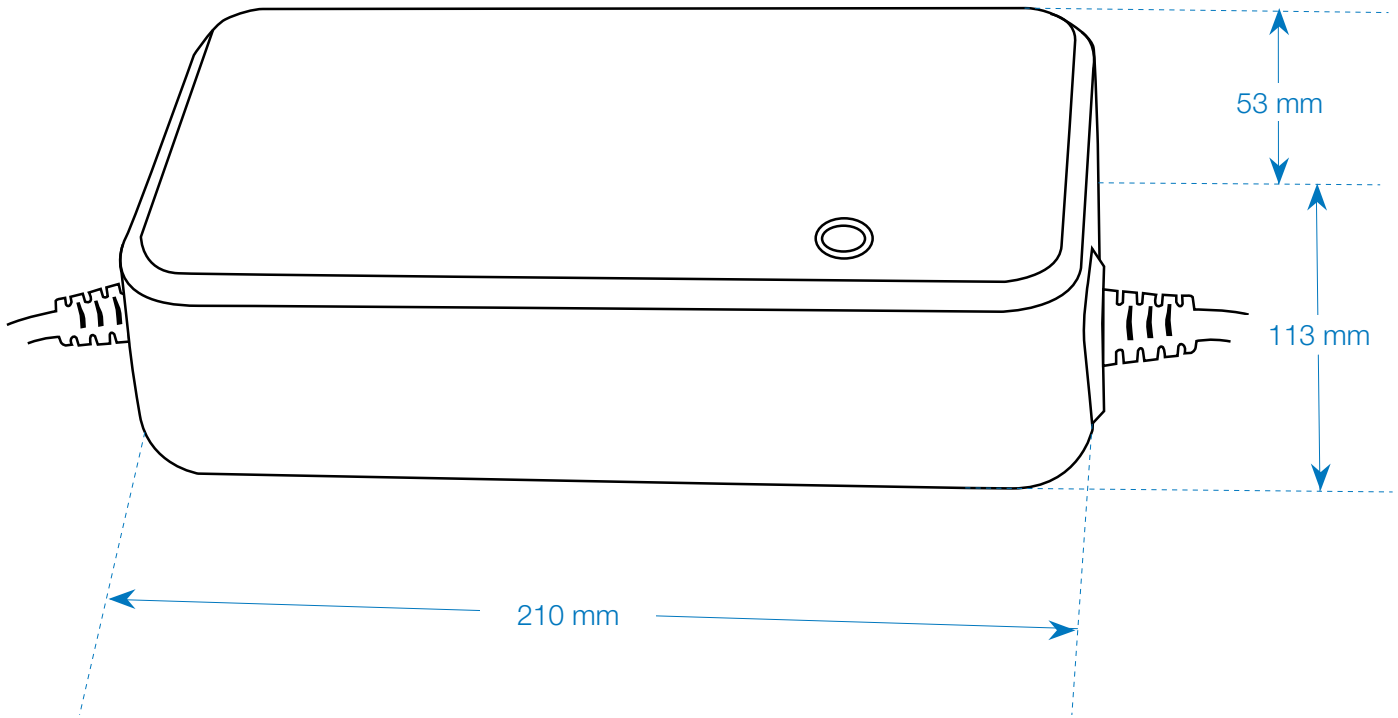
Input voltage:	198-264 VAC
Line Frequency:	47 – 50Hz
Switch frequency, approx.:	65 kHz
Leakage current from batt. with mains switched off:	<160µA@29.2V
Temperature range	
• Operating:	-25 °C - +40 °C
• Storage:	-25 °C - +65 °C
Derating:	7A @ 40°C
Input terminal:	2-pin IEC 60320 or fixed mains cable
Output terminals:	Cord with open ends or XLR Plug
IP-code:	IP44
Dimensions (LxWxH):	210 × 113 × 53 mm
Weight:	With mains cable 1400g With IEC60320 1150g

SAFETY PROTECTION EMC

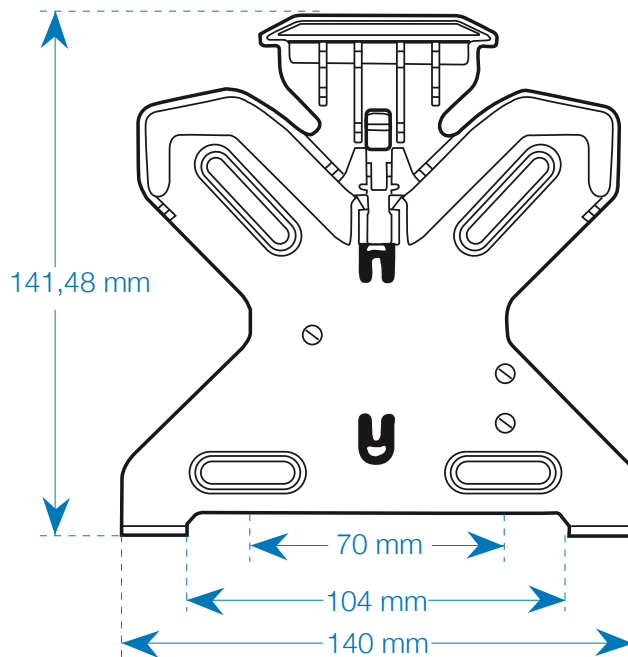
Protection:	Short circuit proof. Protected against reversed polarity and thermal run-off.. Charge timer: 1h Safety timer: 72h
Insulation class:	Class II (Double insulated)
Insulation voltage	
• Primary – secondary:	4000VAC / 5700VDC
Electrical safety standard:	EN 60601 (Edition 3.1)
EMC standards	EN 60601-1-2:2015 (Edition 4)

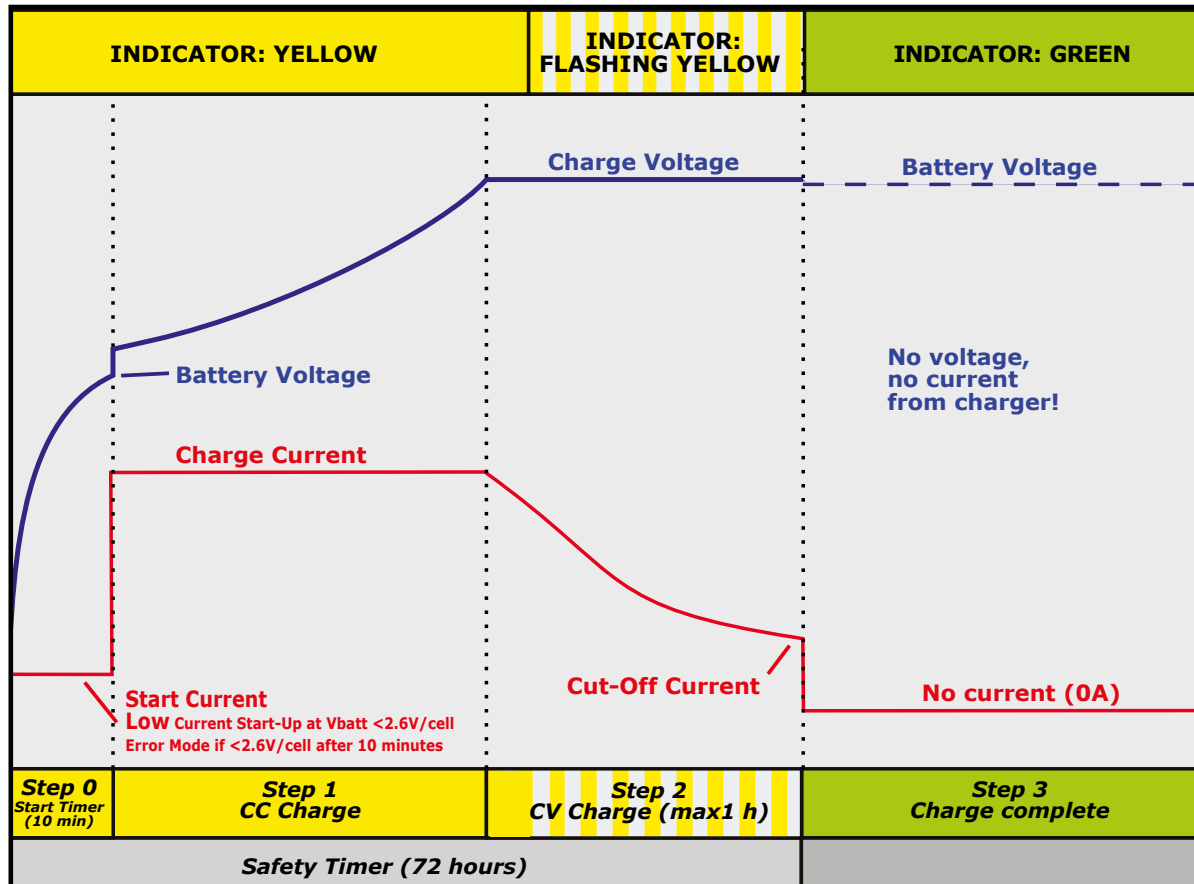
VERSIONS

		CHARGE CONTROL					
		Step 0 < 10min (yellow)	Step 0 > 10min (Red: 4 blinks)	Step 1 (yellow)	Step 2 (Flash yellow)	Step 3 (green)	
Cells	Max output power (W)	Low Current start-up for deeply discharged batt.	Battery voltage too low	Charge Current	Charge Voltage	Charge term when current is:	Restart
4	292W	CC 1.0A±0.2A when batt volt < 10.5V	0A / 0V	20A ±0.3A	14.6V ± 0.1V	< 1.0A or max. 1 hr.	13.2V
8	292W	CC 0.8A±0.2A when batt volt < 21V		10A ±0.3A	29.2V ± 0.2V	< 0.8A or max. 1 hr.	26.4V
9	295W	CC 0.8A±0.5A when batt volt < 23.4V		9A ±0.3A	32.85V ± 0.2V	< 0.8A or max. 1 hr.	29.7V
16	292W	CC 0.3A±5A when batt volt < 41.6V		5A ±0.3A	58.4V ± 0.2V	< 0.3A or max. 1 hr.	52.8V



Mounting bracket, part no. 205800



Charging characteristics and LED indication

BATTERY NOT CONNECTED INDICATIONS

Battery not connected is indicated by FLASHING GREEN. In this mode charger will apply short pulses attempting to wake up deeply discharged batteries.

ERROR INDICATIONS

- 2 red blinks: Battery is connected to charger with wrong polarity!
- 3 red blinks: Charger output is shorted. Check output cable connection!
- 4 red blinks: Battery voltage is low. Check battery status or voltage.
- 5 red blinks: Safety timer has run out. Check battery status or capacity.
- LED off: Battery voltage is too high. Check battery voltage.

WAIT MODE INDICATIONS

- Yellow with 1 red blink: Battery temperature is too low ($< 0^{\circ}C$)
- Yellow with 2 red blink: Battery temperature is too high ($> 45^{\circ}C$)