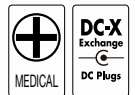
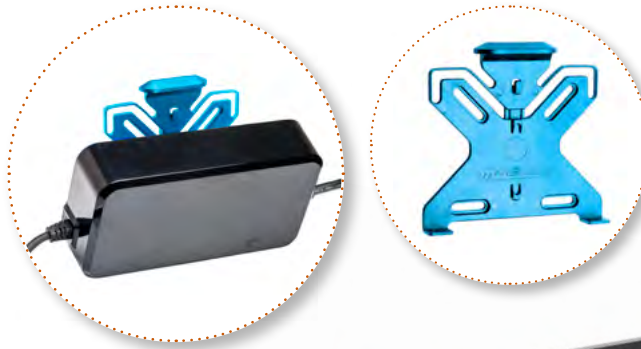


- Universal input voltage (90-264VAC)
- Fixed output voltages
- Short circuit proof
- Exchangeable DC plugs
- Order plugs, mains cord and mounting bracket separately
- ECO-design compliance:
CoC Tier 2, DoE level VI, CEC, MEPS
- Approvals:
 - Medically certified
 - Safety: EN 60601-1 ed. 3.1
 - EMC: EN 60601-1-2 ed. 4
 - UL approved

For updates: see www.mascot.no



TECHNICAL SPECIFICATIONS 12V *

GENERAL INPUT/OUTPUT

Input voltage:	90-264 VAC, 47-63 Hz
Line frequency:	47 - 63 Hz
Load regulation:	< 1%
Mains regulation:	< 0,5%
Switch frequency approx.:	100 kHz
Overshoot:	
(90 - 10% load variation)	<350 mV
Undershoot:	
(10 - 90% load variation)	<350 mV
Temperature range	
• Operating:	-20 - +40°C
• With derating:	+ 60°C
• Storage:	-25 - +85°C
Derating:	4W/°C over 40°C
Ripple:	< 200 mV p-p
Efficiency:	> 91 % at full load
Standby power:	< 0,15 W
Dimensions (L×W×H):	203.5 × 87 × 43.5 mm
Weight:	915 g

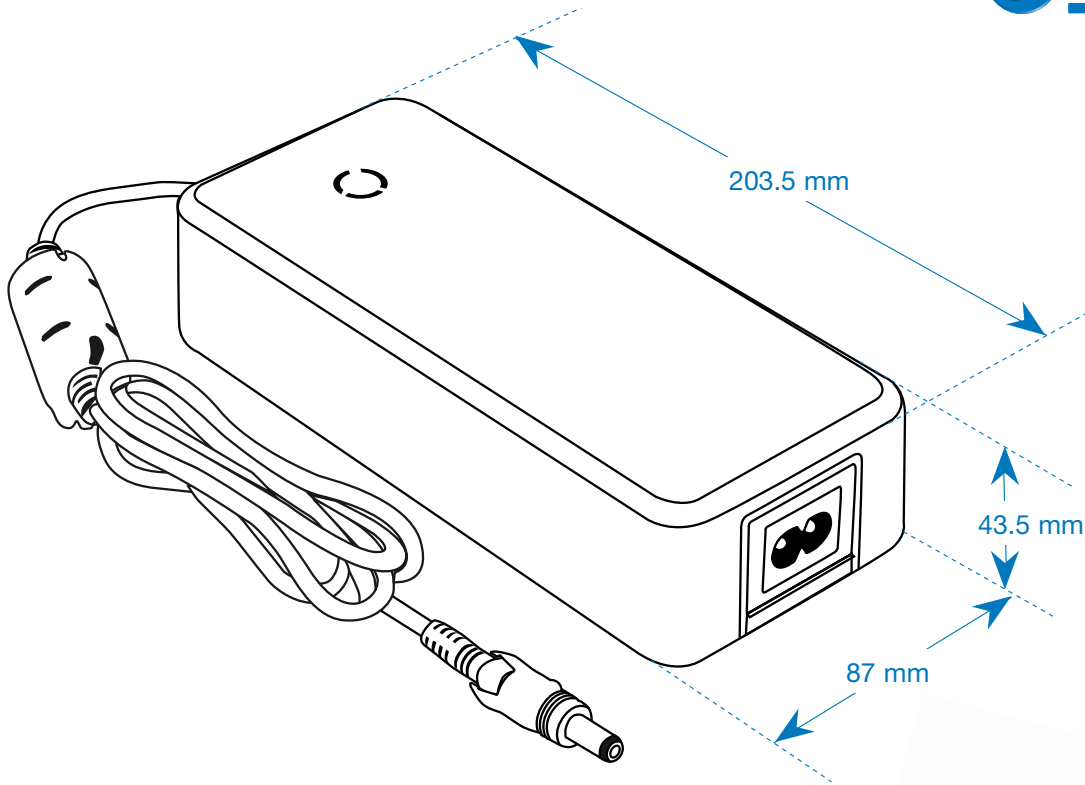
SAFETY PROTECTION EMC

Insulation class:	II (or I)
Insulation voltage	
Primary - secondary:	4000 VAC / 5700 VDC
Electrical safety std:	EN/IEC/ANSI 60601-1
EMC standards	
• Medical:	EN 60601-1-2
• Emission:	EN 61000-6-3
• Immunity:	EN 61000-6-1
IP degree	IP4X
Input terminals:	IEC 60320 2-pin C8/ (3-pin C14 conn or fixed mains cord available on request)
Output terminals:	Cord with/without plug, exch. plugs available

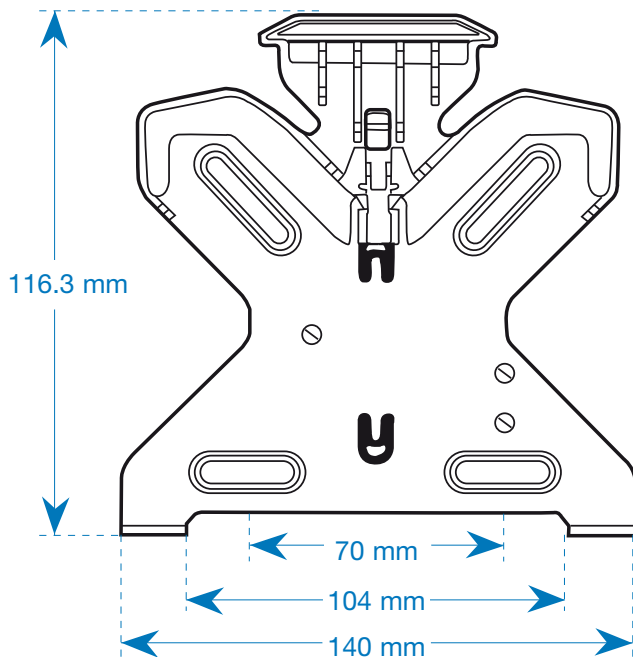
* Some technical specifications may differ for other voltage versions.

VERSIONS

Output (V) +/- 2,5%	Max. current (A)	Max. output power (W)	Cable length	Plug
12	12.5	150	0,75 m coax	Open end
24	7.5	180		
36	5	180	1,2 m coax	Female exch DC
48	3.75	180		



Mounting bracket, part no. 172003



2-pin IEC 60320 C7 mains cord
1800 mm
EU part no. 131306, UK part no. 131148,
US part no. 131368, AU part no. 013108



3-pin IEC 60320 C13 mains cord
1800 mm
EU part no. 013095, UK part no. 131115,
US part no. 131145, AU part no. 131143

Standard cordsets

Output	Part no.	Type	AWG	Length (M)	Notes
12V	131616	Open ends	14	0.75	EMI core OD: 5.6mmØ
24V	131581		16		EMI core, UL1185
36V	131514	Female conn.	18	1.2	coax w. EMI core, UL1185
48V	131514		18		coax w. EMI core, UL1185